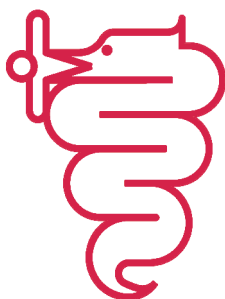


# BZ13



**BEZZERA**

Dal 1901

**COD. 9942056.01**

**REV.01**

POS	CODE	DESCRIPTION
1	7816004	SCREW TCEI M4 X 16
2	5053027	COVER
3	5074478SG1	GROUP FRONTAL PM
4	5074635LW	GRID
5	7474217	ADHESIVE FEET
6	5074621LW	CUPS-HEATER GRID BZ07 BA
7	5073020LW	TRAY COVER STAINLESS
8	5125705	SUPPORT
9	7373009	TANK 3 LT. CAPACITY
10	5071733LL	BODY STAINLESS STEEL POLISHED
11	5521512	LABEL "BEZZERA"
12	5963068.03LL	TANK SUPPORT PM
12	5963086.03	TANK SUPPORT DE
13	5964633.01	ASSEMBLY CHASSIS DE
13	5964634.01	ASSEMBLY CHASSIS PM
14	7474218	FOOT
15	5373102.01	HEATING ELEMENT PROTECTION
16	5340510	DRIP TRAY
17	5074622LW	DRAIN GRID
18	5094846SG	WORKING FRONTAL PANEL DE
19	5074477SG1	GROUP FRONTAL DE
20	5094847SG	WORKING FRONTAL PANEL PM

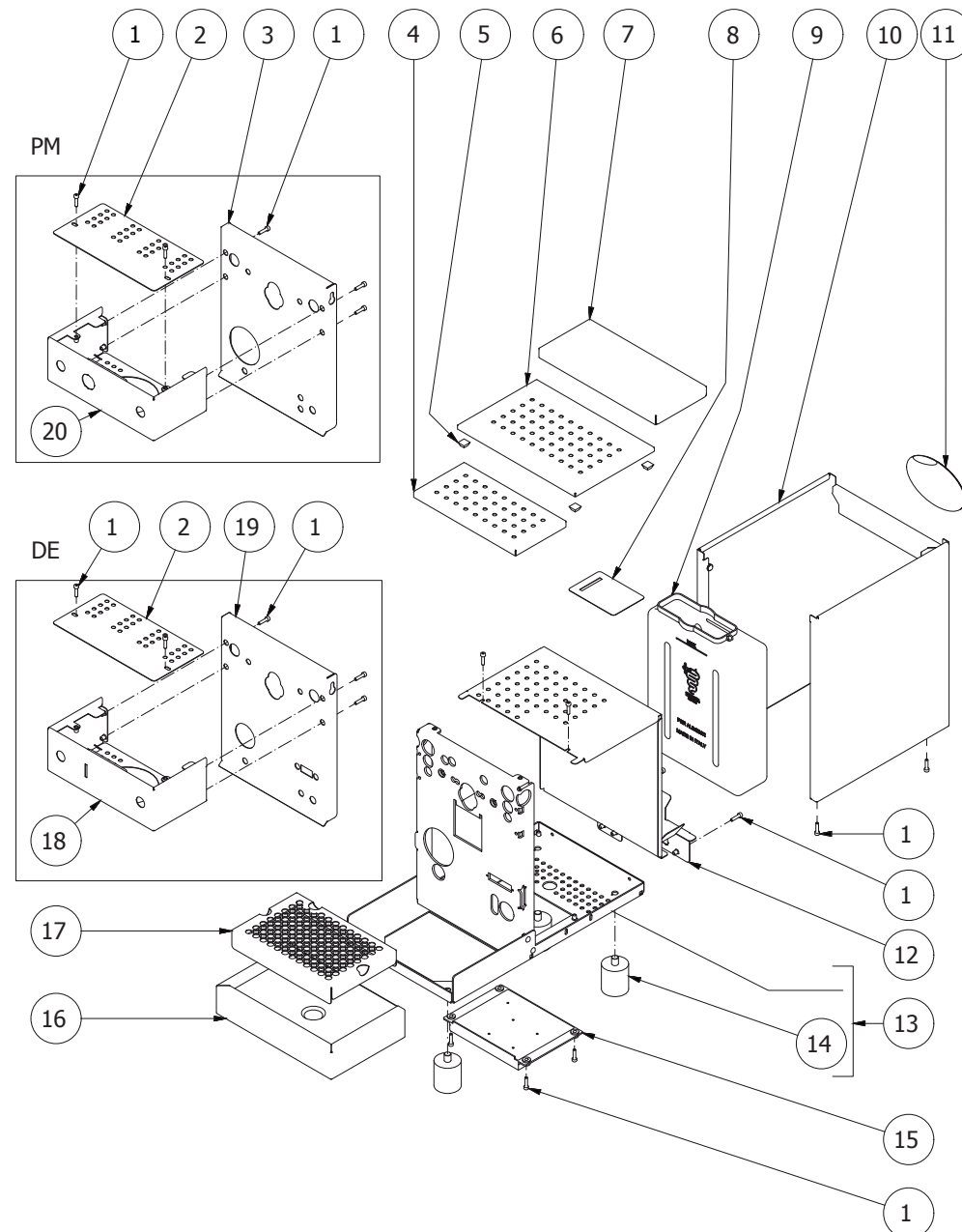
**TABLE 1**
**TABLE 1**




TABLE 2

POS	CODE	DESCRIPTION
1	5162304LL	EXCHANGER LOAD HOSE
2	5162303.01LL	BOILER LOAD HOSE
3	7303033	FITTING "Y"
4	5194610	HOSE 6X4 L=250 SILICONE
5	5194571	HOSE D6X4X1 L=200 SILICONE
6	5301504TR	UNION ELBOW 1/8"G X M12
7	5194571	HOSE D6X4X1 L=200 SILICONE
8	7702310	SOLENOID VALVE 2 WAY 230V PARKER
8	7701111	SOLENOID VALVE 2 WAY 115V PARKER
8	7702409	SOLENOID VALVE 2 WAY 240V PARKER
9	7630328	SOLENOID VALVE COIL 220/230V PARKER
9	7630327	SOLENOID VALVE COIL 110V PARKER
9	7630329	SOLENOID VALVE COIL 240V PARKER
10	7304514TR	FITTING
11	5225411TP	FITTING 1/8"G MF
12	7496085	OR GASKET D7.2X1.9 NBR
13	7303006	RUBBER-HOLDER FITTING
14	7452512	VALVE
15	7496018	OR GASKET 105 VITON
16	7304507TR	UNION ELBOW 1/8"G MF OT(up to 13.12.15)
16	7303034TR	UNION ELBOW 1/8"G(from 14.12.15)
17	5194635	PUMP-SOLENOID VALVE HOSE(from 14.12.15)
17	5194631.01R	PUMP-SOLENOID VALVE HOSE(up to 13.12.15)
18	5221844	NUT 1/8"G H3
19	5965212.01AL	ASSEMBLY SURPRESSION VALVE 12BAR
20	5302077TP	RUBBER-HOLDER FITTING
21	7496052	OR GASKET 114
22	5302017TP	STRAIGHT FITTING M12
23	5471539	CALIBRATED SPRING D.1,6
24	5471505	CALIBRATED SPRING D0.45 H22 AISI 302
25	5224620TP	GASKET-HOLDER
26	5224615TP	GASKET-HOLDER
27	5493042	GASKET D.11X3
28	7496018	OR GASKET 105 VITON
29	5283053TP	SURPRESSION VALVE BODY
30	5471019	INOX WIRE FILER D8,5X5 AISI304

TABLE 2

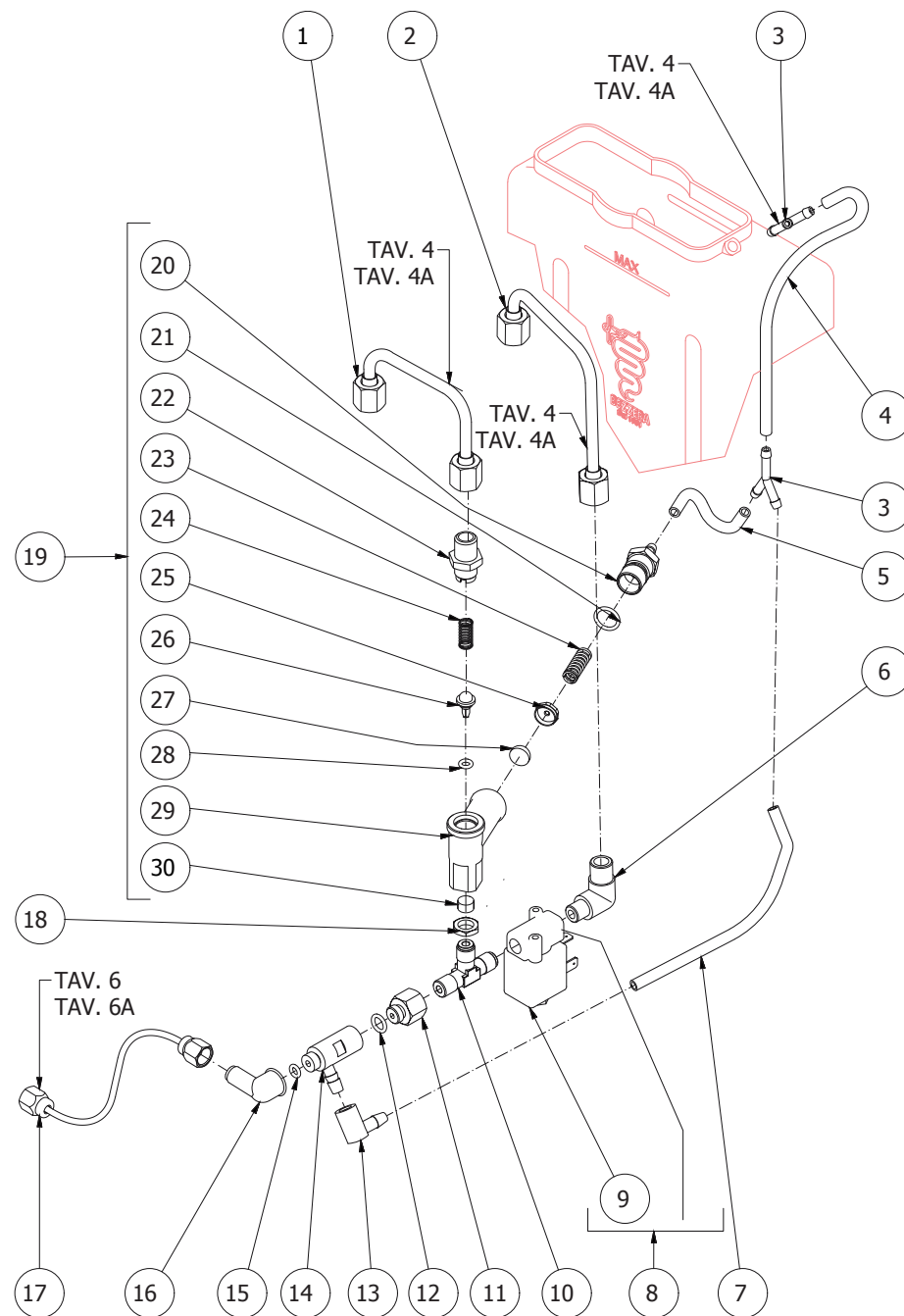




TABLE 3 (from 29.01.14)

POS	CODE	DESCRIPTION
1	5964085.01AL	ASSEMBLY TAP WITH OR
2	5964084.01AL	ASSEMBLY TAP WITH OR
3	7371511.01	LEVER KNOB
4	5222823CM	RING NUT 3/8"G H17
5	5225608	ARTICULATION M8 INOX
6	5260204DL	SHAFT D12X47
7	5260203DL	SHAFT D12X47
8	5471513	SPRING
9	5261801	WASHER D11
10	5494004	GASKET D12 X 6 PTFE GRAPHITIZED
11	5221826CM	NUT 3/8"G ES.22X5
12	5283055TW	TAP BODY OT FOR OR
13	5496042	GASKET D11X4X4 EPT 70 (C6)
14	5224603TP	GASKET-HOLDER
15	7496072	OR GASKET 121
16	5471532	SPRING
17	5190501	COMPLETE CUP
18	5226601TW	WATER HOSE TERMINAL M22 CHROMED
19	5493003	GASKET D20.5X15 H1.5 NBR 70SH
20	7999918	CARTRIDGE AERATOR
21	5966548.01AL	ASSEMBLY WATER HOSE
22	5494017	ARTICULATION GASKET
23	5221872TW	NUT 3/8"G
24	7371003	INSULATING
25	7496084	GASKET
26	7305014	TERMINAL 2 HOLES
27	7479990.01TW	ASSEMBLY STEAM HOSE TERMINAL 2 HOLES
29	5966548.02AL	ASSEMBLY WATER HOSE
30	5222225	SPACER D15X19X4
31	5162363LL	STEAM TAP HOSE
32	5162364LL	STEAM TAP HOSE
33	5162362LL	WATER TAP HOSE
34	5162365LL	WATER TAP HOSE
35	5225610	ARTICULATION M8 INOX
36	7496052	OR GASKET 114
37	5225416TP	FITTING M14X1 WHIT OR

TABLE 3 (from 29.01.14)

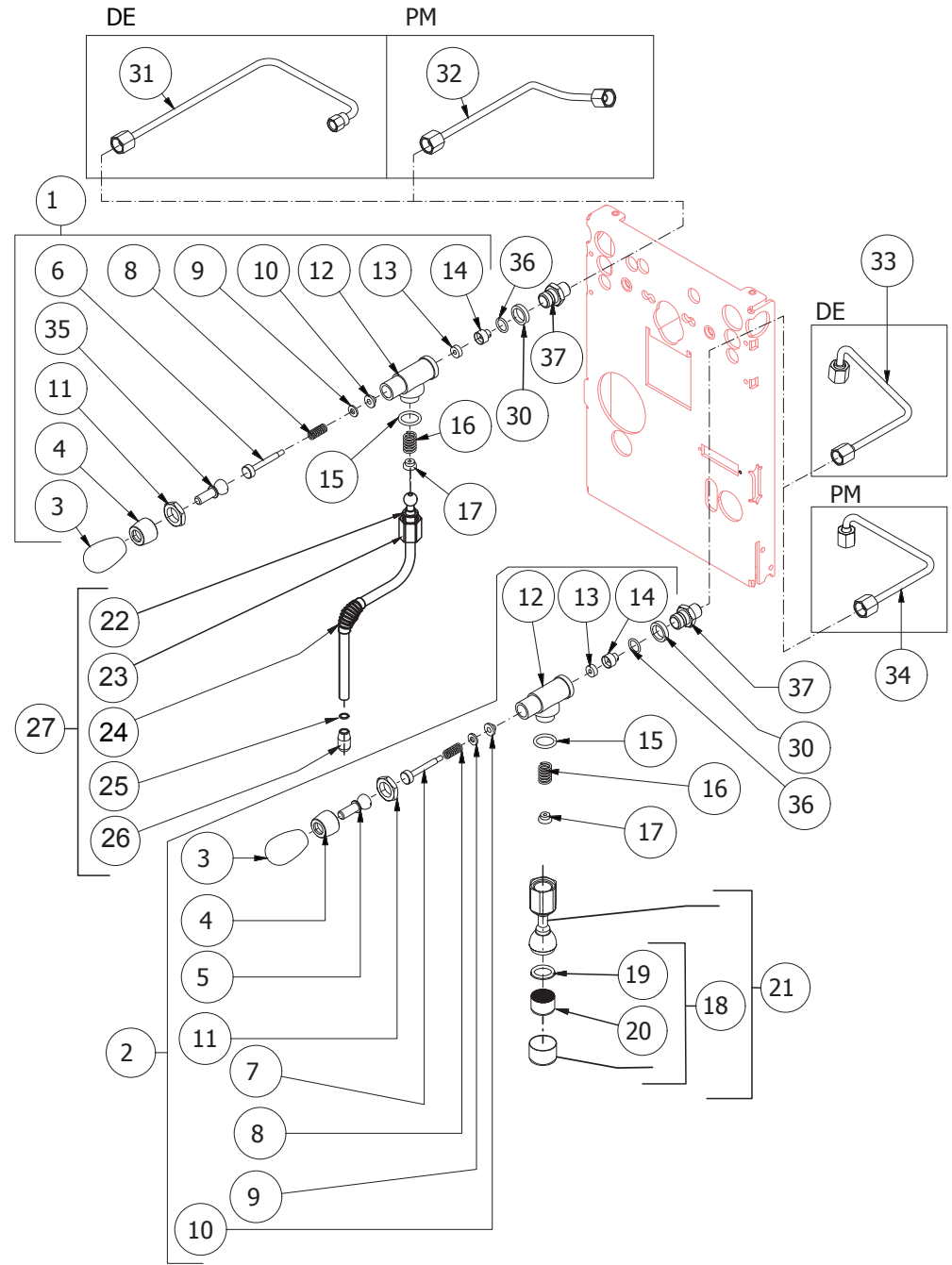


TABLE 3A

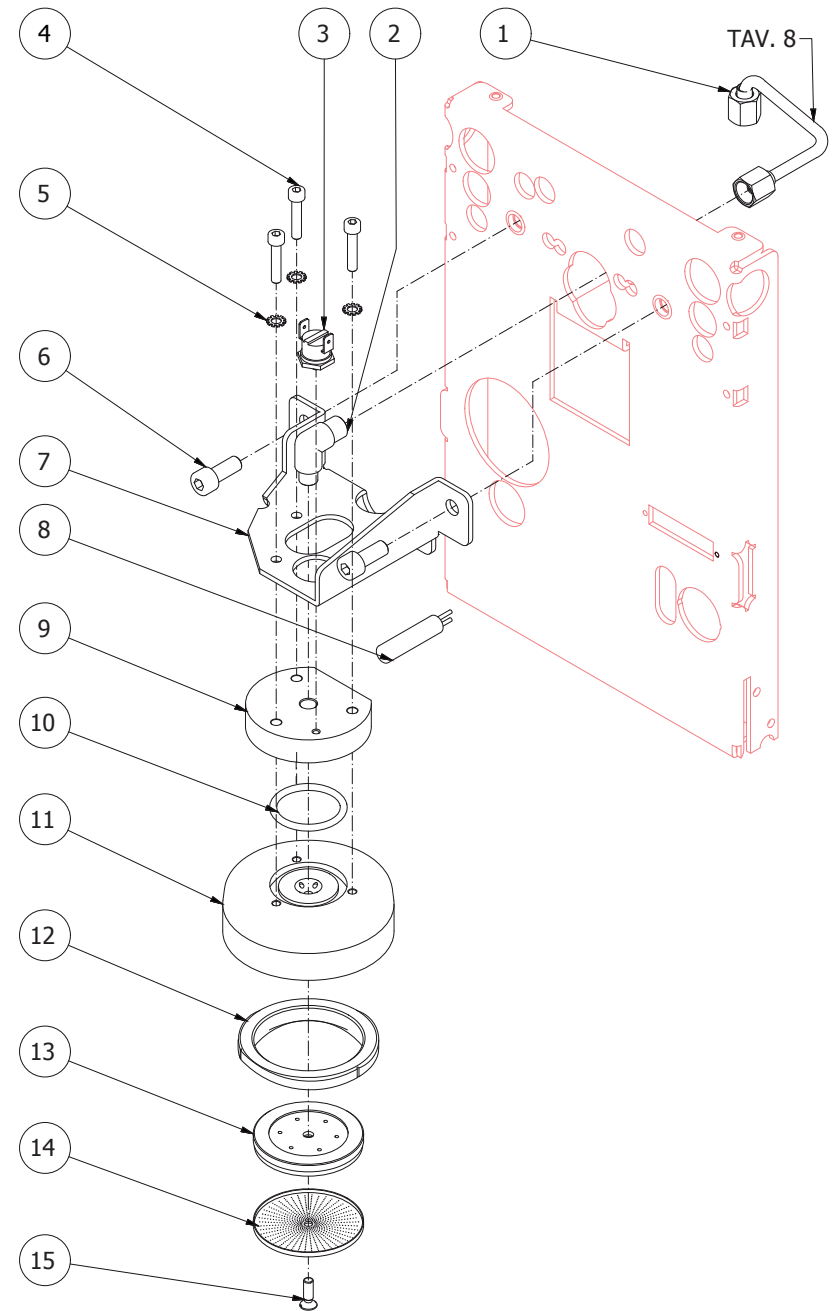


TABLE 4 Mod. DE

POS	CODE	DESCRIPTION
1	5162304LL	EXCHANGER LOAD HOSE
2	5302006TP	STRAIGHT FITTING 1/8"G X M12
3	5192301	SUCTION HOSE D6 L=130MM PTFE
4	7666002	PROBE T.PID
5	5265804	LEVEL PROBE 1GR D3 X 110 X 6.3
6	5225205	STRAIGHT FITTING M10 OT
8	5162362LL	WATER TAP HOSE
9	5194549	HOSE D8X5 L=350 SILICONE
10	7433018	VALVE BODY
11	5226405TP	PLUG 1/4"G ES.16 H13 OT
12	5194616	HOSE 5X3 L=500 SILICONE
13	7303033	FITTING "Y"
14	5162363LL	STEAM TAP HOSE
15	7304514TR	FITTING
16	7611504	CLAMP
17	5162203.02LL	PRESSURE GAUGE HOSE
18	5301504TR	UNION ELBOW 1/8"G X M12
19	5162303.01LL	BOILER LOAD HOSE
20	5320520.01TP-AL	BOILER
21	5226411TP	PLUG 1/8"G ES.12 H10 HOLE M4 OT
22	5225209TP	STRAIGHT FITTING 1/4"G X M10 OT
23	5192001	PROBE SHEATH D8 X 45 HOLE D3 PTFE
24	5225412	FITTING
25	5329019DC-AL	ASSEMBLY EXCHANGER HOSE POLISHED
26	5495007	GASKET D32 X 3 BRASS
27	5265811	LEVEL PROBE D3X160X4.8
29	5301504TR	UNION ELBOW 1/8"G X M12
30	5223005TP	JET M6 X 6 HOLE D1.2 OT
31	5162185LL	EXCHANGER-GROUP SOLENOID VALVE HOSE

TABLE 4 Mod. DE

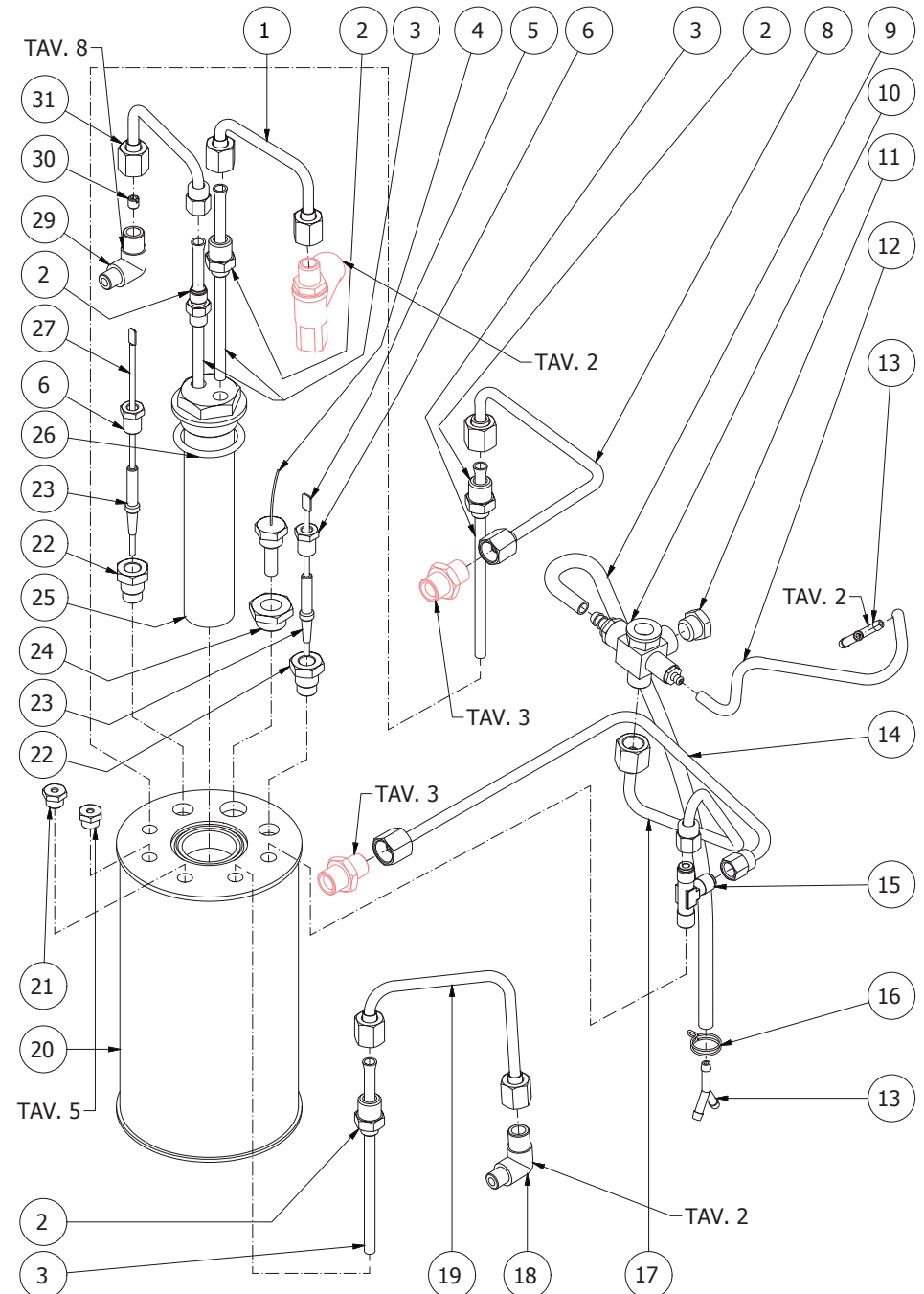


TABLE 4A Mod. PM

POS	CODE	DESCRIPTION
1	5162304LL	EXCHANGER LOAD HOSE
2	5194549	HOSE D8X5 L=350 SILICONE
3	5162203.02LL	PRESSURE GAUGE HOSE
4	7433012	PRESSURE SWITCH XP/100 1/4"G CALIBRATION 1.2 BAR
5	5194616	HOSE 5X3 L=500 SILICONE
6	7303033	FITTING "Y"
7	7400902	PUMP PRESSURE GAUGE CAPILLARY
8	7304514TR	FITTING
9	7611504	CLAMP
10	5301504TR	UNION ELBOW 1/8"G X M12
11	5265804	LEVEL PROBE 1GR D3 X 110 X 6.3
12	5225205	STRAIGHT FITTING M10 OT
13	5192001	PROBE SHEATH D8 X 45 HOLE D3 PTFE
14	5225209TP	STRAIGHT FITTING 1/4"G X M10 OT
15	5320520.01TP-AL	BOILER
16	5226411TP	PLUG 1/8"G ES.12 H10 HOLE M4 OT
17	5162365LL	WATER TAP HOSE
18	5302006TP	STRAIGHT FITTING 1/8"G X M12
20	5192301	SUCTION HOSE D6 L= 130MM PTFE
21	5226405TP	PLUG 1/4"G ES.16 H13 OT
22	5302070TP	FITTING 3/8"G X 1/4"G
23	5301506TR	UNION ELBOW M13X1/4"GC
24	5162364LL	STEAM TAP HOSE
25	5162303.01LL	BOILER LOAD HOSE
26	5495007	GASKET D32 X 3 BRASS
27	5329019DC-AL	ASSEMBLY EXCHANGER HOSE POLISHED
29	5301504TR	UNION ELBOW 1/8"G X M12
30	5223005TP	JET M6 X 6 HOLE D1.2 OT
31	5162185LL	EXCHANGER-GROUP SOLENOID VALVE HOSE

TABLE 4A Mod. PM

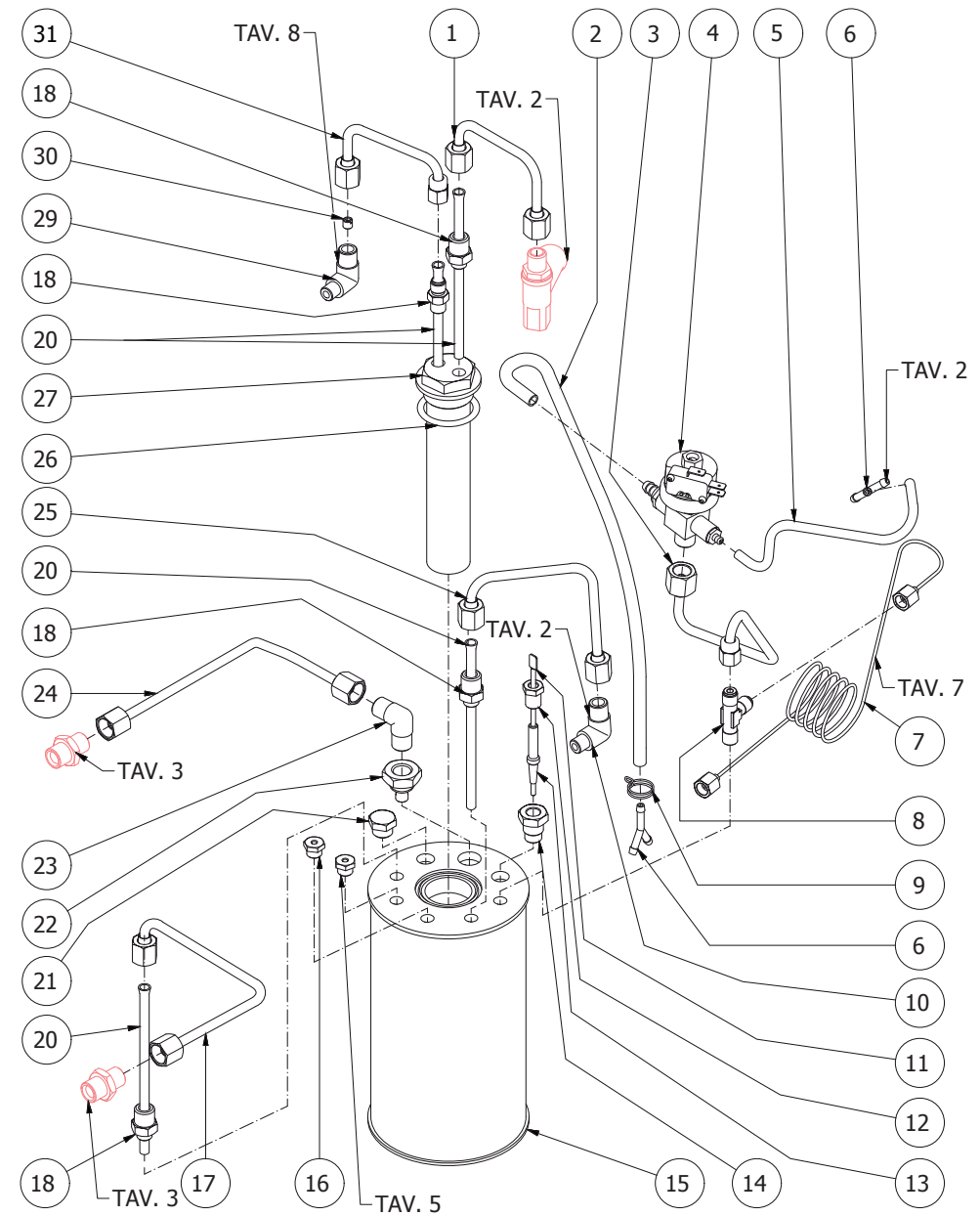




TABLE 5

POS	CODE	DESCRIPTION
1	7816002	SCREW TCEI M4X12
2	7825003	WASHER D5X1 UNI 6592 OT
3	7492003	GASKET D6.5
4	5226411TP	PLUG 1/8"G ES.12 H10 HOLE M4 OT
5	7496040	OR GASKET D73 X 3 VITON
6	7826402	SCREW TE M4X16 UNI 5739 OT
7	5721128AL	HEATING ELEMENT V110/120 W1200
7	5722239AL	HEATING ELEMENT 220/240V W1100-1300
8	7816422	SCREW TE M6X14 UNI 5739 OT
10	7634819	THERMIC SAFETY DEVICE 250V 130°C
11	7663573	GROUND WIRE
12	7814001	WASHER Ø 4
13	7816409	SCREW TE M4X8 UNI 5739 A2
14	7822603	NUT M4

TABLE 5

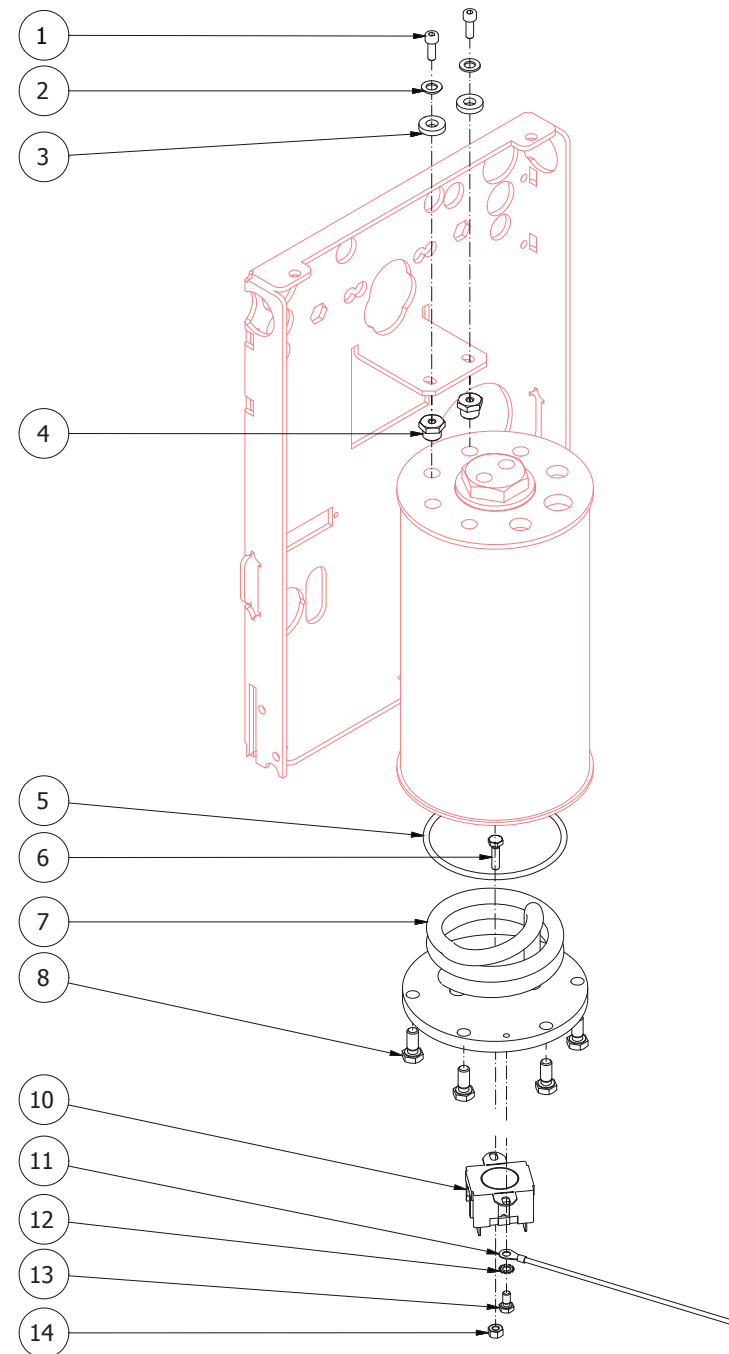


TABLE 6 Mod. DE

POS	CODE	DESCRIPTION
1	7816004	SCREW TCEI M4 X 16
2	7731022	VIBRATION PUMP EX5 220V 60HZ WITH OR
2	7731020	VIBRATION PUMP EX5 230V WITH OR
2	7731018	VIBRATION PUMP EX5 100V C/OR
2	7731019	VIBRATION PUMP EX5 120V WITH OR
2	7731021	VIBRATION PUMP EX5 240V WITH OR
3	7634816	THERMIC SAFETY DEVICE 100°C AUTOMATIC
4	7805009	PLAIN WASHER D5 X 11 X 1
5	7303006	RUBBER-HOLDER FITTING
6	5194570LL	CRISTAL HOSE D5 X 8 L=150MM
7	5194582R	HOSE WITH FILTER
8	7374015	FILTER
9	7431002	FLOW METER
10	7470602	VIBRATION-DAMPING
12	7303042TR	UNION ELBOW 1/8"G

TABLE 6 Mod. DE

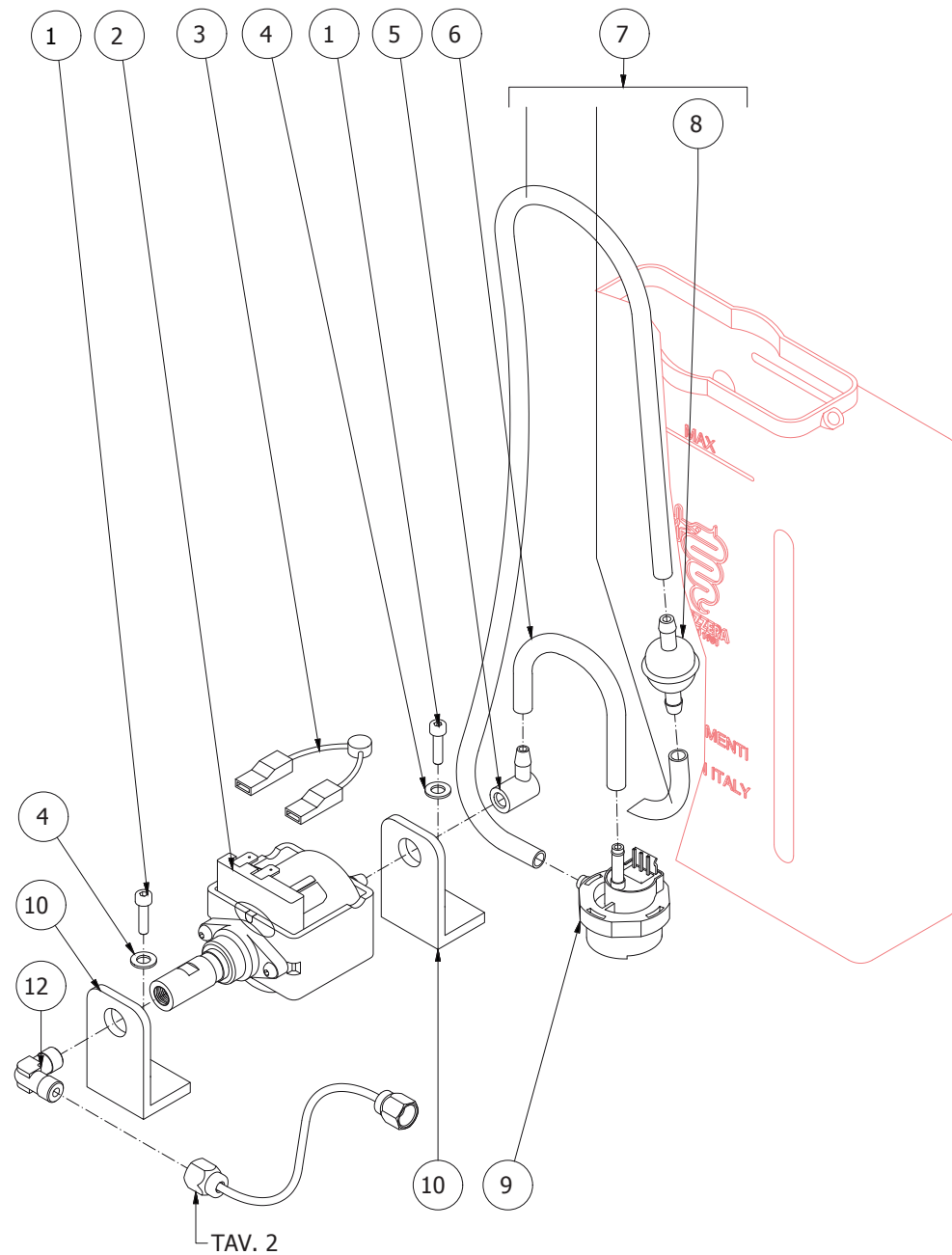
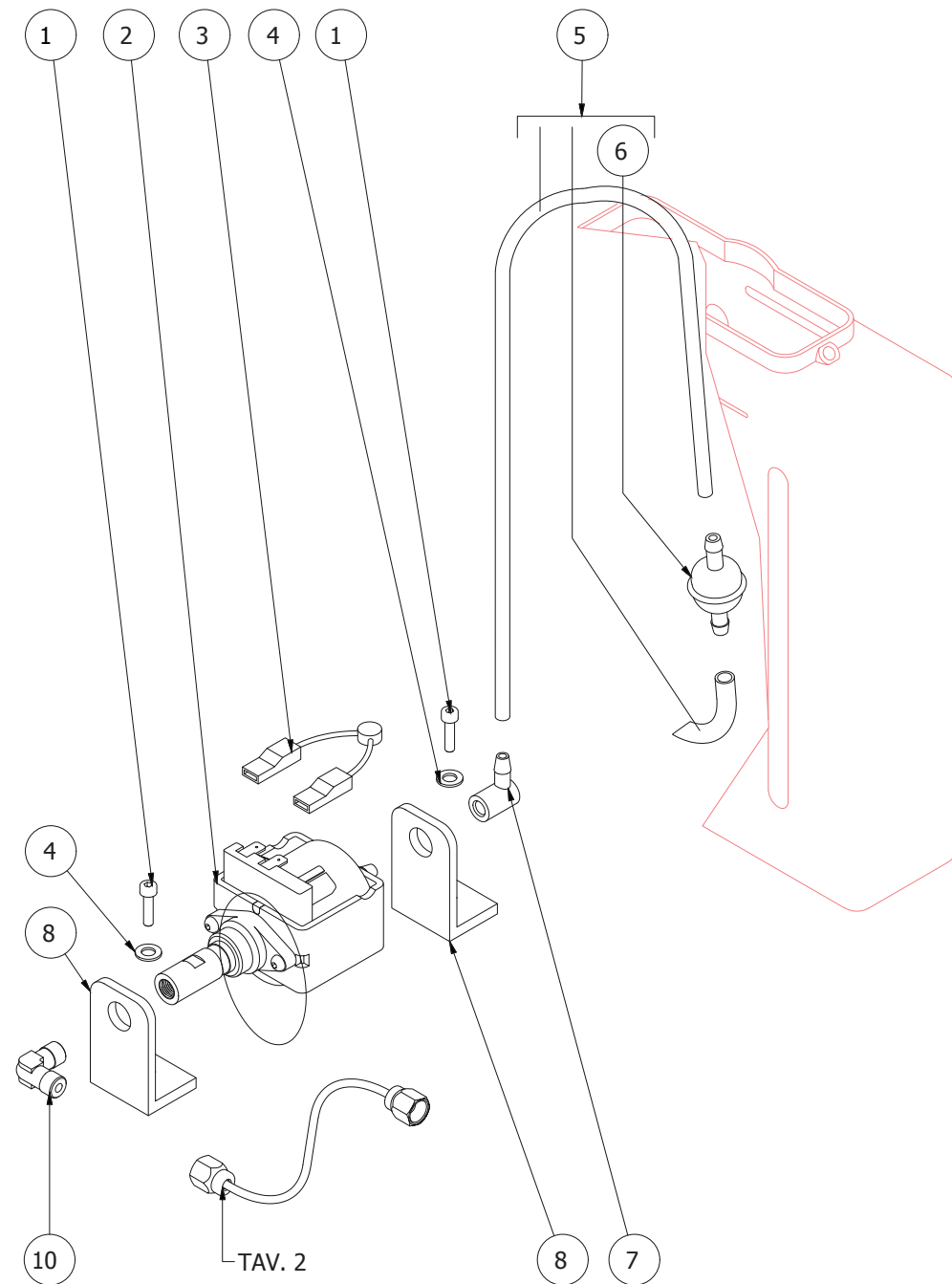


TABLE 6A Mod. PM

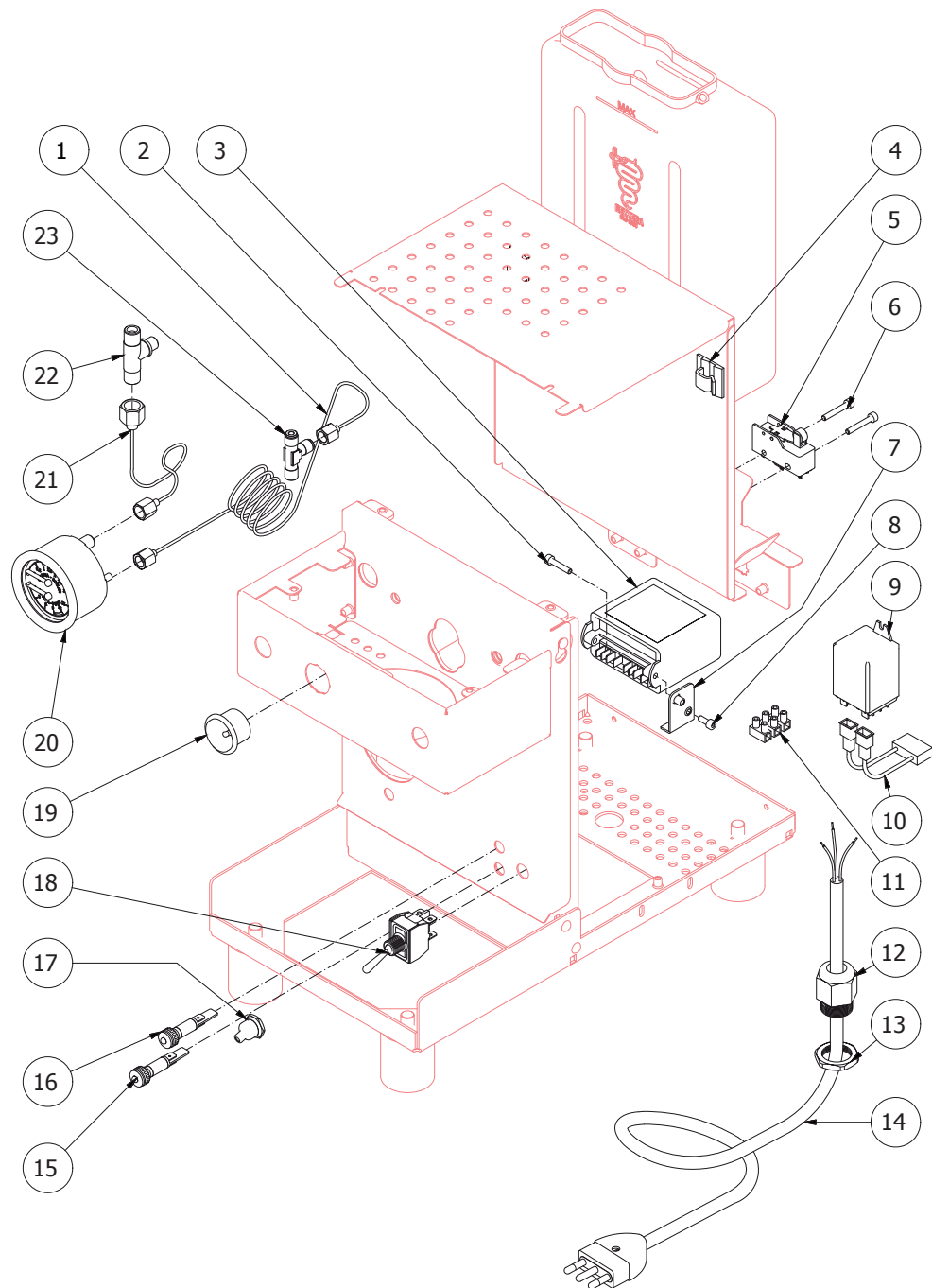
POS	CODE	DESCRIPTION
1	7816004	SCREW TCEI M4 X 16
2	7731022	VIBRATION PUMP EX5 220V 60HZ WITH OR
2	7731020	VIBRATION PUMP EX5 230V WITH OR
2	7731018	VIBRATION PUMP EX5 100V C/OR
2	7731019	VIBRATION PUMP EX5 120V WITH OR
2	7731021	VIBRATION PUMP EX5 240V WITH OR
3	7634816	THERMIC SAFETY DEVICE 100°C AUTOMATIC
4	7805009	PLAIN WASHER D5 X 11 X 1
5	5194582R	HOSE WITH FILTER
6	7374015	FILTER
7	7303006	RUBBER-HOLDER FITTING
8	7470602	VIBRATION-DAMPING
10	7303042TR	UNION ELBOW 1/8"G

TABLE 6A  
Mod. PM

**TABLE 7 Mod. PM**

POS	CODE	DESCRIPTION
1	7400902	CAPILLARY
2	7816005	SCREW TCEI M4X20
3	7661037PR	LEVEL REGULATOR 1 PROBE 115V
3	7661036.01PR	LEVEL REGULATOR 1S 220/240V
4	7611517	CLAMP
5	7633907	MICROSWITCH
6	7819911	SCREW TTEI M4X25
7	5058433LL	LEVEL REGULATOR SUPPORT
8	7816009	SCREW TCEI M4X10
9	7635418	RELAY 16A 110V
9	7635419	RELAY 16A 230V
9	7635420	RELAY 16A 240V
10	7663005R	FILTER RC
11	7612511	CLAMP 3 CONTACTS
12	7614007	CABLE-PRESS PG13,5
13	7614006	NUT PG13,5
14	7555001	CABLE WITH SCHUKO PLUG
14	7551001	CABLE WITH USA PLUG 125V 15A
14	7551003	CABLE WITH USA PLUG 250V 20A
14	7552001	CABLE WITH AUSTRALIAN PLUG
14	7554001	CABLE WITH ENGLISH PLUG
14	7555003	CABLE WITH SWITZERLAND PLUG
15	7633624	GREEN LAMP
16	7633625	ORANGE LAMP
17	7372507	SWTCH PROTECTION PLASTIC
18	7633326	BIPOLAR SWITCH
19	7633338	SWITCH
20	7432524	PRESSURE GAUGE D60 DOUBLE SCALE
21	7400901	CAPILLARY
22	5300513TR	UNION
23	7304514TR	FITTING

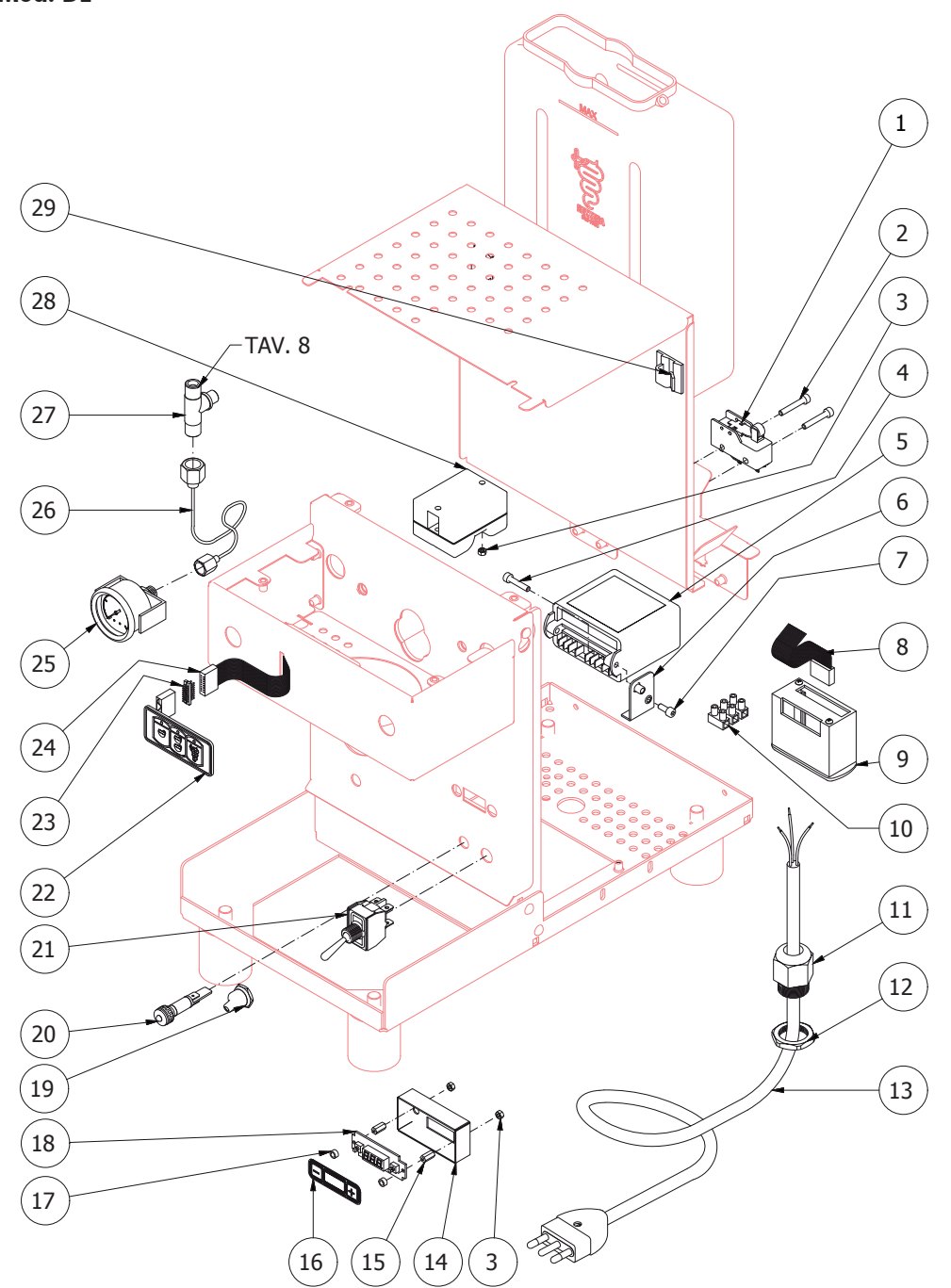
**TABLE 7 Mod. PM**



**TABLE 7A Mod. DE**

POS	CODE	DESCRIPTION
1	7633907	MICROSWITCH
2	7819911	SCREW TTEI M4X25
3	7822602	NUT M3
4	7816005	SCREW TCEI M4X20
5	7662671.01PR	DOSAGE 3S 220/240V
5	7662650.02PR	DOSAGE 3S 115V
6	5058433LL	LEVEL REGULATOR SUPPORT
7	7816009	SCREW TCEI M4X10
8	7663581	CONNECTING CABLE
9	7434020	THERMOSTAT TERMOPID 110V
9	7434021	THERMOSTAT TERMOPID 230/240V
10	7612511	CLAMP 3 CONTACTS
11	7614007	CABLE-PRESS PG13,5
12	7614006	NUT PG13,5
13	7555001	CABLE WITH SCHUKO PLUG
13	7551001	CABLE WITH USA PLUG 125V 15A
13	7551003	CABLE WITH USA PLUG 250V 20A
13	7552001	CABLE WITH AUSTRALIAN PLUG
13	7554001	CABLE WITH ENGLISH PLUG
13	7555003	CABLE WITH SWITZERLAND PLUG
14	5053026LW	COVER
15	5191511	SPACER
16	5522076	TERMOPID PLATE
17	5191510	SPACER
18	7665529	DISPLAY
19	7372507	SWTCH PROTECTION PLASTIC
20	7633626	RED LED
21	7633326	BIPOLAR SWITCH
22	5660523	MEMBRANE
23	7636603	STRIP-LINE 7 POLES
24	7663580.01	CONNECTING CABLE MEMBRANE
25	7432523	PRESSURE GAUGE D40 16BAR
26	7400901	CAPILLARY
27	5300513TR	UNION
28	7635424.01	RELAY SSR FOR PID
29	7611517	CLAMP

**TABLE 7A  
Mod. DE**



**TABLE 8**

POS	CODE	DESCRIPTION
1	5162185LL	EXCHANGER-GROUP SOLENOID VALVE HOSE
2	5223005TP	JET M6 X 6 HOLE D1.2 OT
3	5162361LL	HOSE FOR SOLENOID VALVE OF GROUP
4	5301504TR	UNION ELBOW 1/8"G X M12
5	7701112	SOLENOID VALVE 3 WAY 115V PARKER
5	7702311	SOLENOID VALVE 3 WAY 230V PARKER
5	7702410	SOLENOID VALVE 3 WAY 240V PARKER
6	7703014	SOLENOID VALVE WITHOUT COIL PARKER
7	7630332	SOLENOID VALVE COIL 115V PARKER
7	7630331	SOLENOID VALVE COIL 230V PARKER
7	7630330	SOLENOID VALVE COIL 240V PARKER
8	5300513TR	UNION
9	5370313	RUBBER-HOLDER
10	5194559LL	SURPRESSION VALVE HOSE
11	5221844	NUT 1/8"G H3
12	7815001	WASHER D10 UNI 6592 A2
13	5283018CM	DRAIN FITTING FOR SURPRESSION VALVE 1/8"G CHROMED

**TABLE 8**

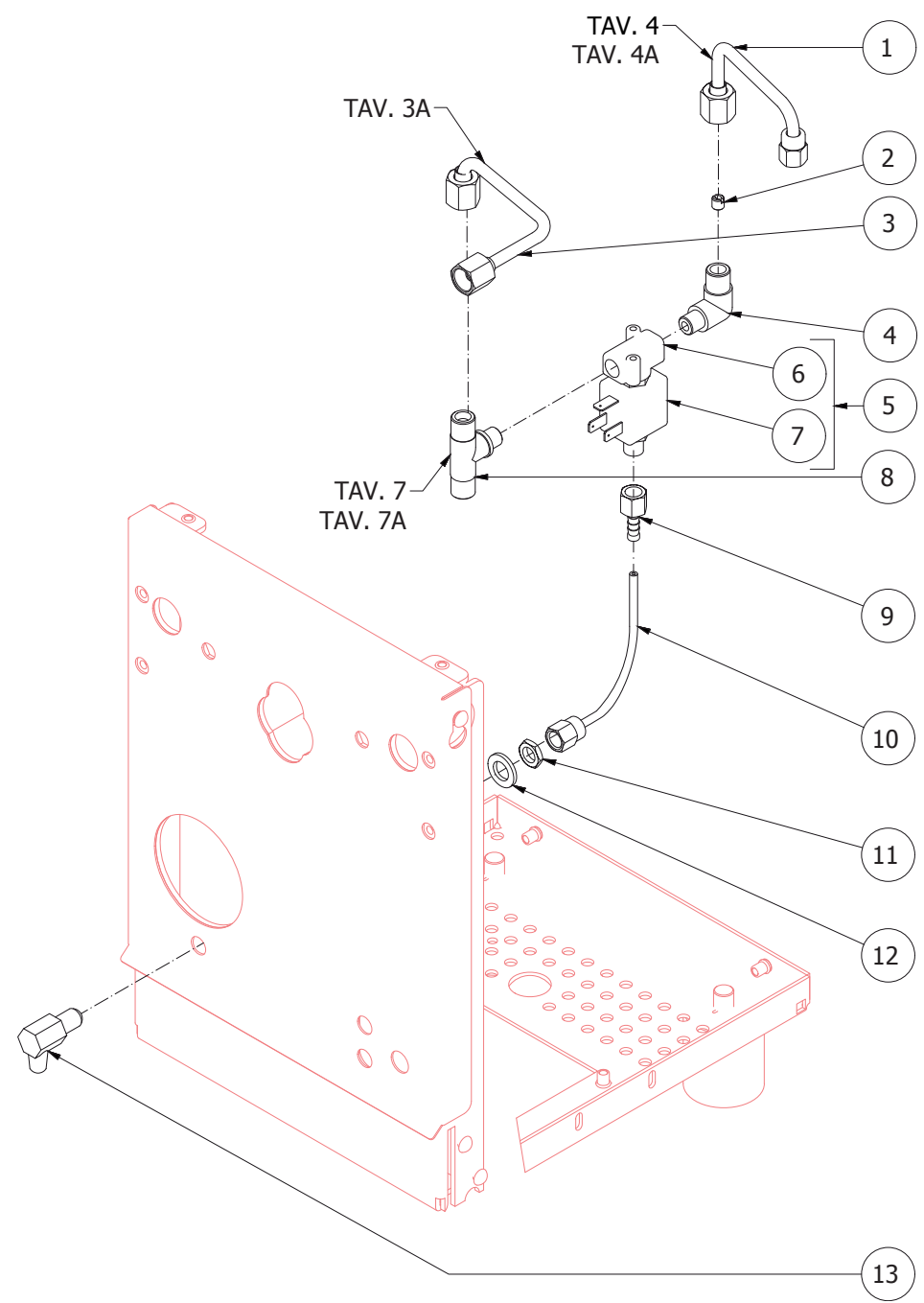
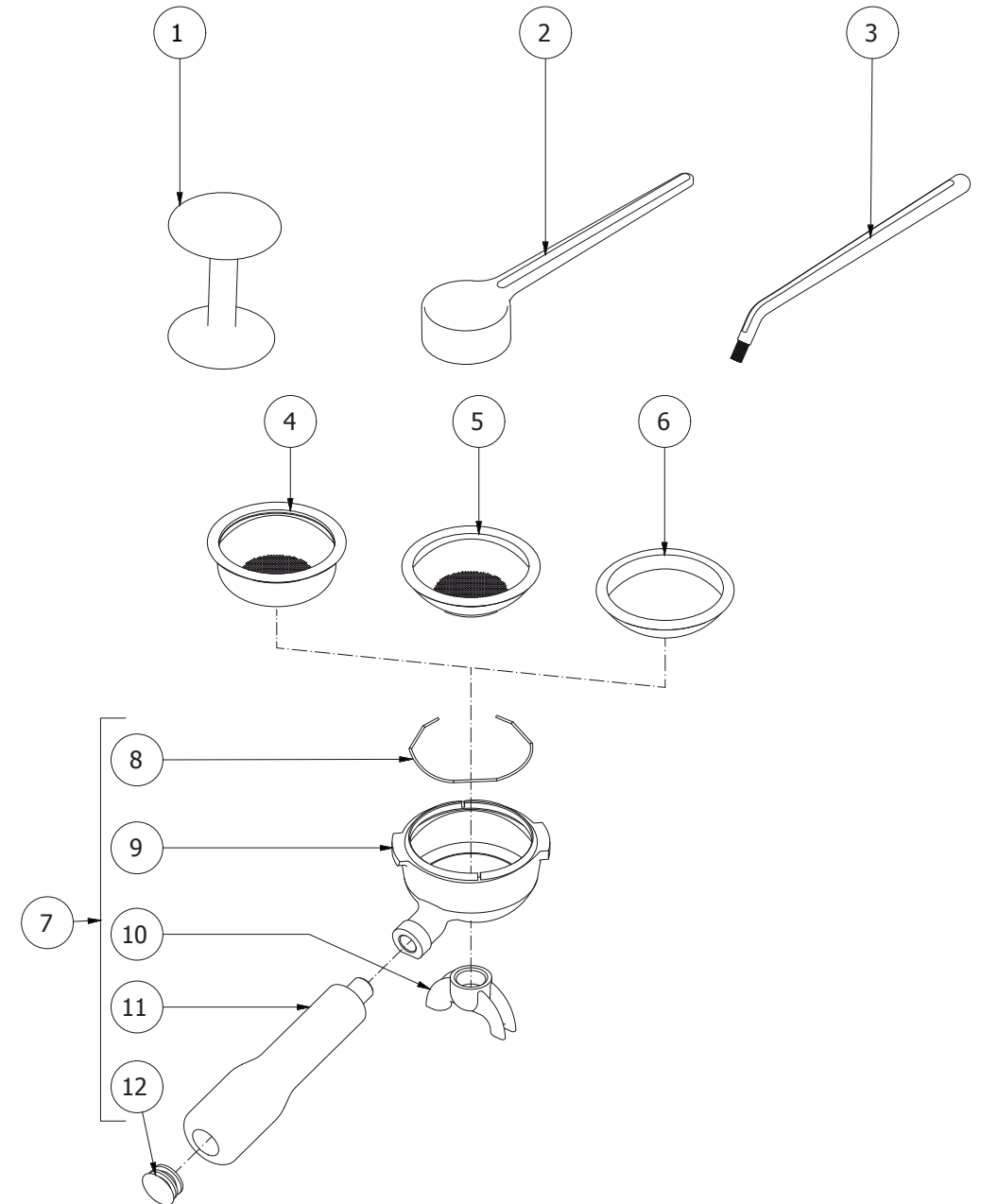


TABLE 9

POS	CODE	DESCRIPTION
1	5373001	COFFEE-PRESS
2	5372101	MEASURER
3	7990603	CLEANING BRUSH
4	5471021.01	FILTER 2 CUPS 12 GRAMS WITH RUN CHANNEL
4	5471026.01	FILTER 2 CUPS 14 GRAMS WITH RUN CHANNEL
4	5471035	FILTER 2 CUPS 16 GRAMS WITH RUN CHANNEL
5	5471031.01	FILTER 1 CUP 8 GRAMS WITH RUN CHANNEL
6	5471003	BLIND FILTER
7	5965604R	ASSEMBLY FILTER-HOLDER 2 CUPS
8	5471527	FILTER-HOLDER SPRING D1.2 AISI 302
9	5286016TW	FILTER-HOLDER
10	7288501TW	SPOUT 2 WAY SHORT
11	7371502	KNOB POLISHED
12	5373915CM	KNOB CHROME CAP

TABLE 9





**BEZZERA**

**Dal 1901**

G. BEZZERA S.R.L.  
MACCHINE PER CAFFE' ESPRESSO

Via Luigi Bezzera,1

20088 Rosate - Milano - Italy

Tel. ++39 02 90848102 r.a. - Telefax ++39 02 90870287

Web: [www.bezzera.com](http://www.bezzera.com)

e-mail: [admin@bezzera.it](mailto:admin@bezzera.it)