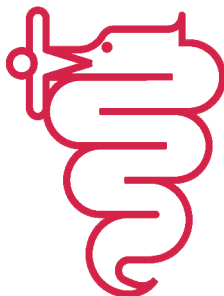


BZ16



BEZZERA

Dal 1901

COD. 9942064

REV.03

TABLE 1 Mod S.

POS	CODE	DESCRIPTION
1	5344025.01	BODY STAINLESS STEEL POLISHED
2	5961602.01	ASSEMBLY CUPS-HEATER
3	7474217	ADHESIVE FEET
4	5074617LW	CUPS-HEATER GRID BZ07 BA
5	5340015LL	BLACK CHASSIS (PM version)
5	5344016LL	BLACK CHASSIS (DE version)
6	5340503DL	DRIP TRAY STAINLESS STEEL POLISHED
7	5074617LW	DRIP TRAY GRID STAINLESS STEEL POLISHED
8	7474218	FOOT
9	7816002	SCREW TCEI M4X12
10	7809804	WASHER D4X12
11	5521512	LABLE "BEZZERA"

TABLE 1
Mod S.

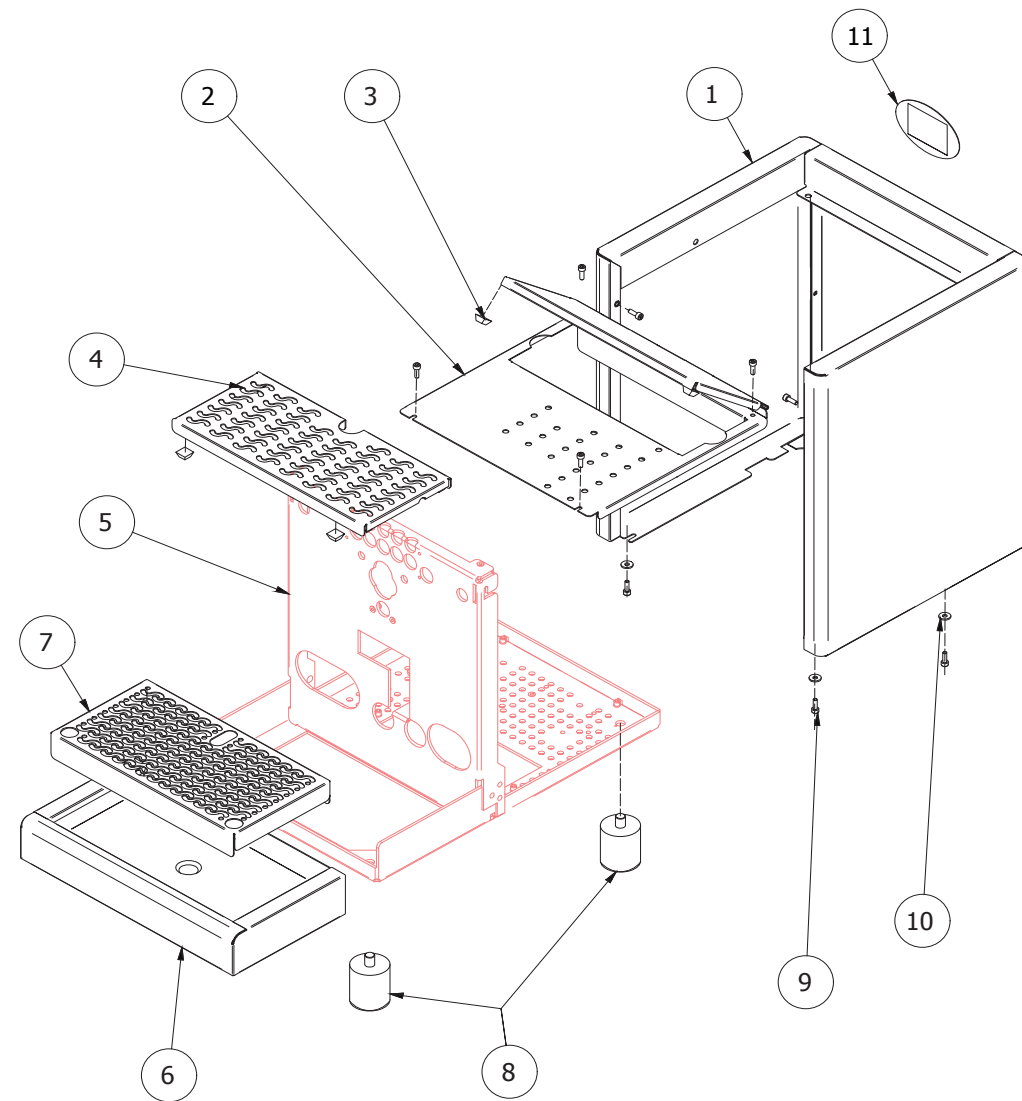


TABLE 1A Mod. R

POS	CODE	DESCRIPTION
1	5344025.01	BODY STAINLESS STEEL POLISHED
2	5074620LW	CUPS-HEATER GRID BZ07 BA
3	5056330LL	CUPS-HEATER
4	5340017LL	BLACK CHASSIS (PM version)
4	5340018LL	BLACK CHASSIS (DE version)
5	5074617LW	DRIP TRAY GRID STAINLESS STEEL POLISHED
6	5340503LW	DRIP TRAY STAINLESS STEEL POLISHED
7	7474218	FOOT
8	7816002	SCREW TCEI M4X12
9	7809804	WASHER D4X12
10	5225230	UNION 3/8"G
11	5492022	GASKET Ø25X17X2
12	5224403.01	RUBBER-HOLDER D11 OT
13	7611502	CLAMP D14
14	7303502	HOSE D14 L=1.5M PLASTIC
15	5521512	LABLE "BEZZERA"

**TABLE 1A
Mod. R**

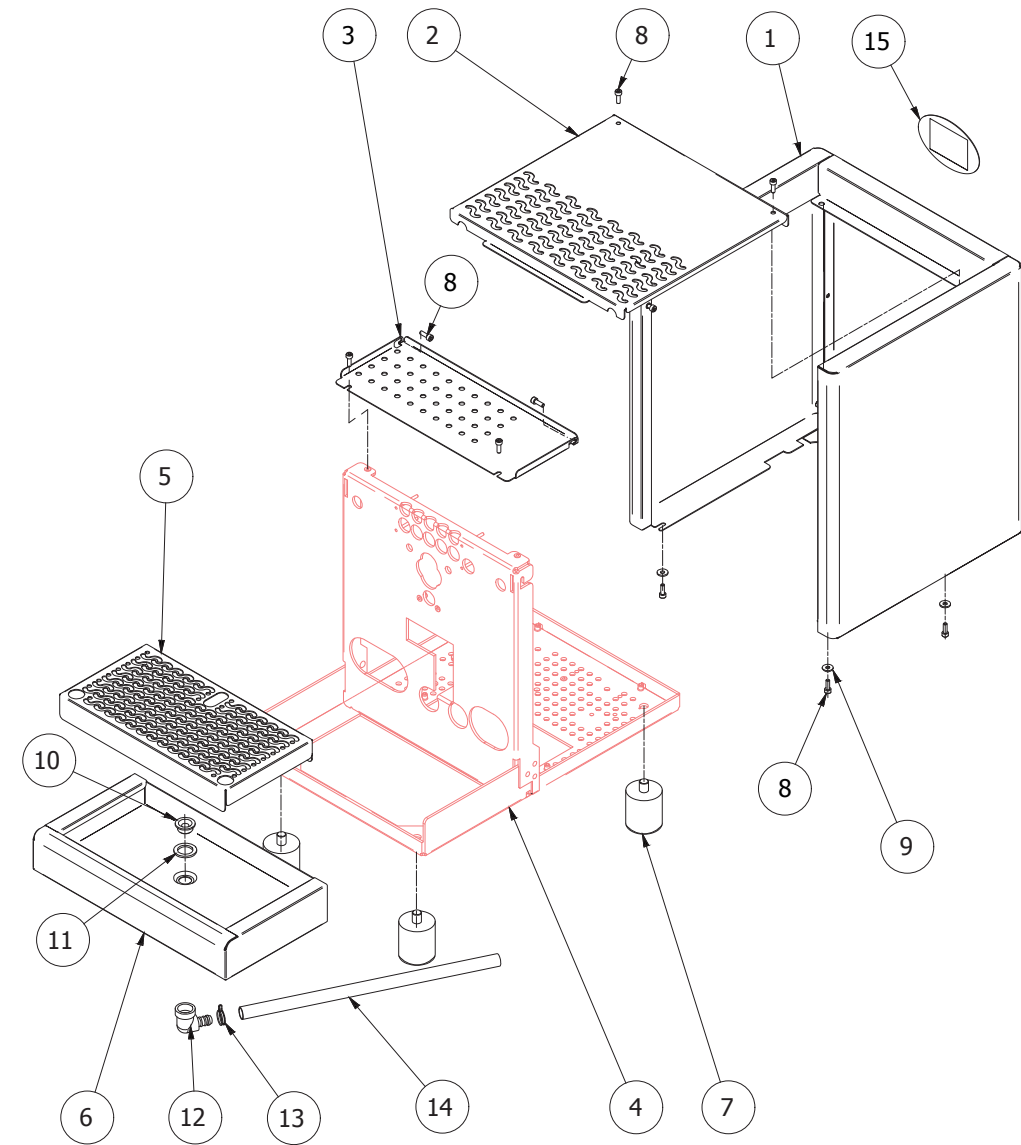


TABLE 2 Mod. S

POS	CODE	DESCRIPTION
1	7373006.03	TANK
2	7496073.01	OR GASKET 115 EP856
3	5471509	BALL 7/32 AISI 304
4	5471521.01	COUPLING SPRING
5	5302065	FITTING 1/4"GXM10
6	7374002	FILTER 1/4"G PLASTIC
7	7812601	NUT M4 STAINLESS STEEL
8	7374004	WASHER D4 NYLON
9	7819908	SCREW TTEI M4X8
10	5224617	GASKET-HOLDER D14.5
11	7496076	OR GASKET 112 EPDM
12	5221830	NUT M20 H5 OT
13	5471535	TANK SPRING
14	5963009.03	ASSEMBLY TANK SUPPORT
15	5225228	FITTING M20X1,25
16	5225246	UNION
17	7826206	SCREW TCI M3X30 OT
18	5194529	CRISTAL HOSE D6 X 9 L=150MM (mod. PM)
18	5194632LL	CRISTAL HOSE D8X5X1.5 (mod. DE)
19	7611512	CLAMP
20	7303006	RIBBER-HOLDER FITTING
21	7816004	SCREW TCEI M4X16
22	7805009	PLAIN WASHER D5 X 11 X 1
23	7470602	VIBRATION-DAMPING
24	7731018	VIBRATION PUMP EX5 100V C/OR
24	7731019	VIBRATION PUMP EX5 120V WITH OR
24	7731022	VIBRATION PUMP EX5 220V 60HZ WITH OR
24	7731020	VIBRATION PUMP EX5 230V WITH OR
24	7731021	VIBRATION PUMP EX5 240V WITH OR
25	7634816	THERMIC SAFETY DEVICE 100°C AUTOMATIC
26	7432523	PRESSURE GAUGE D40 BAR
27	7400902	PUMP PRESSURE GAUGE CAPILLARY
28	7304001TR	UNION 1/8"G
29	7303034TR	UNION ELBOW 1/8"G OT

TABLE 2 Mod. S

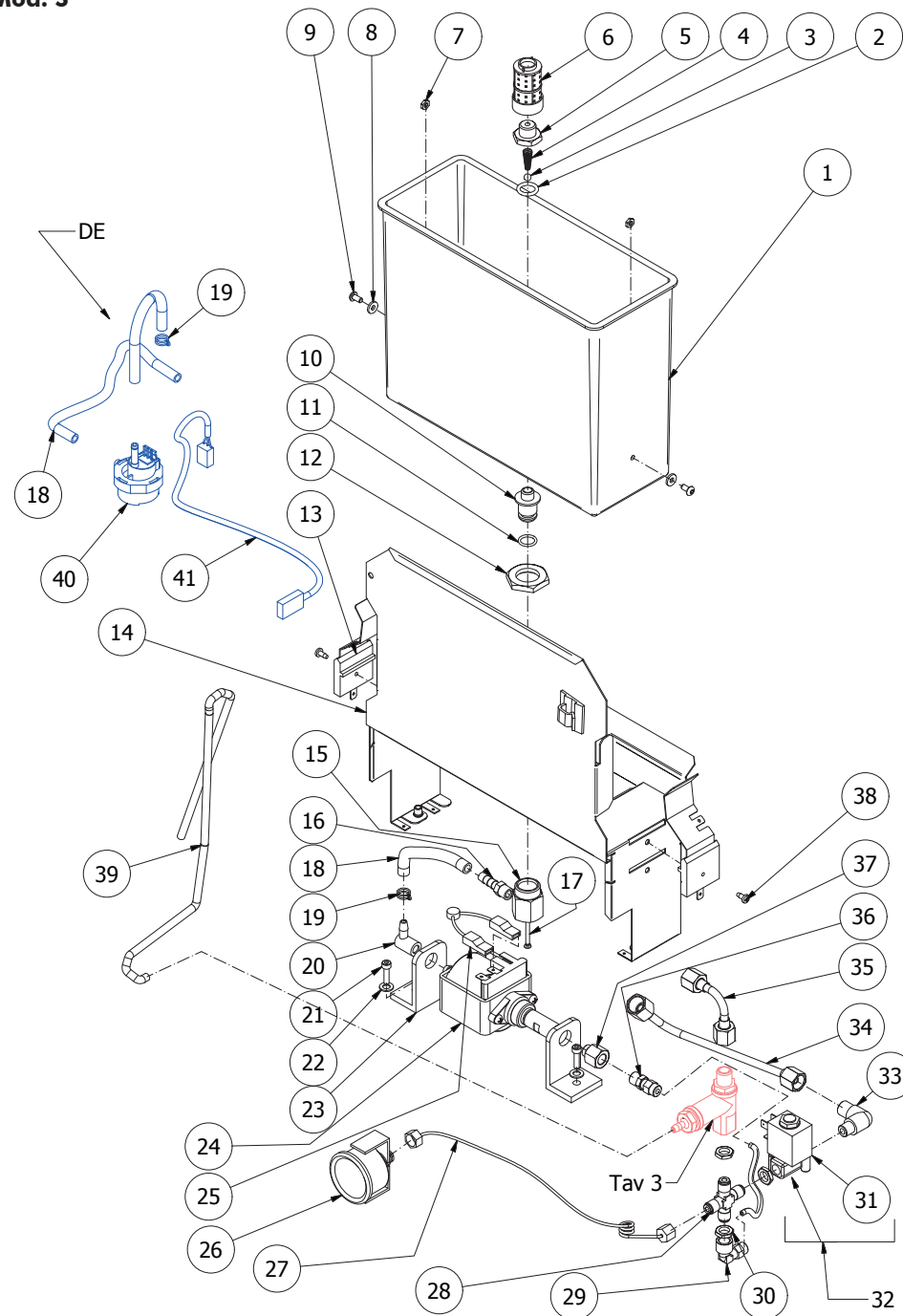


TABLE 2 Mod. S

POS	CODE	DESCRIPTION
30	5221844	NUT 1/8"G H3
31	7630327	SOLENOID VALVE COIL 110V PARKER
31	7630328	SOLENOID VALVE COIL 220/230V PARKER
31	7630329	SOLENOID VALVE COIL 240V PARKER
32	7702310	SOLENOID VALVE 2 WAY 230V PARKER
32	7702409	SOLENOID VALVE 2 WAY 240V PARKER
32	7701111	SOLENOID VALVE 2 WAY 115V PARKER
33	5301504TR	UNION ELBOW 1/8"G X M12
34	5162237.01LL	BOILER LOAD HOSE
35	5162236.01LL	SURPRESSION VALVE/HEAT EXCHANGER HOSE
36	7303036TR	STRAIGHT UNION 1/8"G OT
37	5225418TP	UNION WITH OR HOUSING 1/8"G
38	7809806	SCREW D3,5x8
39	5194508.01LL	SURPRESSION VALVE DRAINING HOSE
40	7431002	LOW PRESSION VOLUMETRIC COUNTER
41	7663595	VOLUMETRIC COUNTER CABLE BZ16DE S

TABLE 2 Mod. S

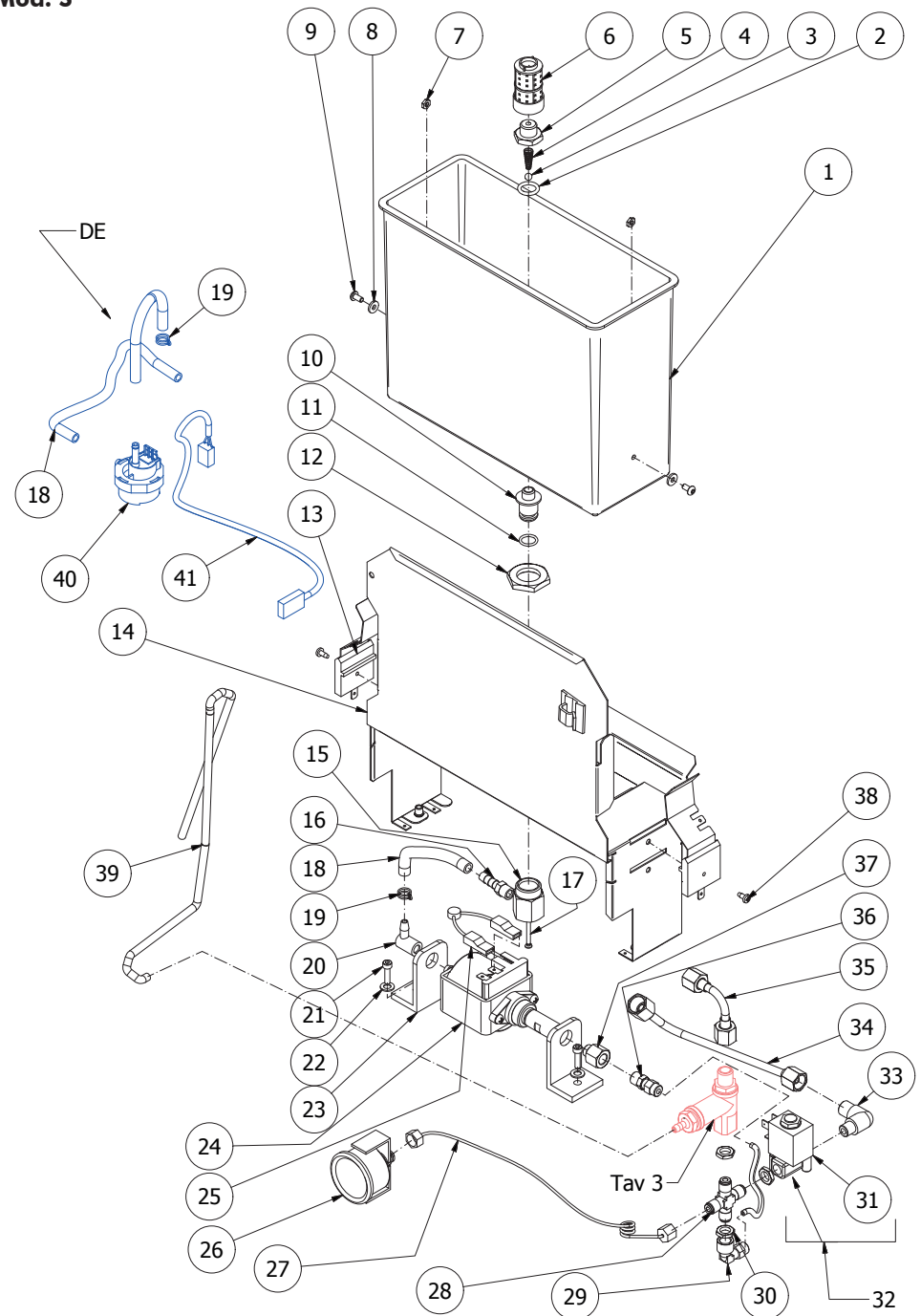
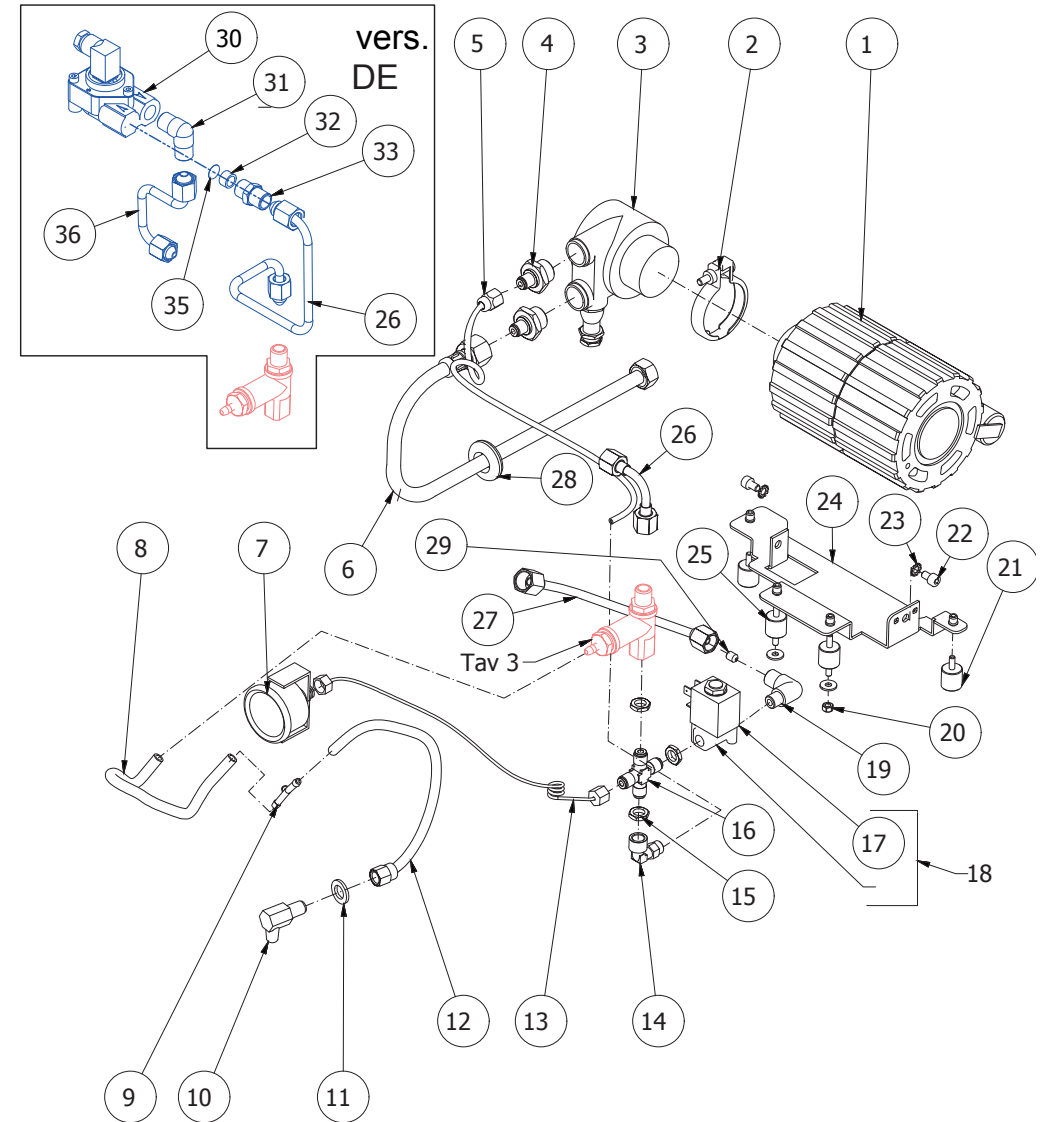


TABLE 2A Mod.R

POS	CODE	DESCRIPTION
1	7741005	ELECTRIC MOTOR 110V
1	7742404	ELECTRIC MOTOR 220/240V 50/60HZ
2	7611508	PUMP CLAMP
3	7730509	PUMP 50-70L/H+CLAMP+JOINT
4	5302023	STRAIGHT FITTING 1/8"G X 3/8"G
5	5194574.01LL	PUMP-SOLENOID VALVE HOSE
6	7200514	INOX FLEXIBLE HOSE 3/8"X1/8" L=1500MM
7	7432523	PRESSURE GAUGE D40 16BAR
8	5194633	HOSE D6X4 L=200MM SILICONE
9	7303033	"Y" UNION D2.7
9	7816027	SCREW TCEI M5X8
10	5283018CM	ELBOW UNION 1/8"G CHROMED
11	7815001	WASHER D10 UNI 6592 A2
12	5194566LL	DRAIN LITTLE HOSE
13	7400902	PUMP PRESSURE GAUGE CAPILLARY
14	7303034TR	UNION ELBOW 1/8"G OT
15	5221844	NUT 1/8"G H3
16	7304001TR	CROSS FITTING 1/8"G
17	7630327	SOLENOID VALVE COIL 110V PARKER
17	7630328	SOLENOID VALVE COIL 220/230V PARKER
17	7630329	SOLENOID VALVE COIL 240V PARKER
18	7701111	SOLENOID VALVE 2 WAY 115V PARKER
18	7702310	SOLENOID VALVE 2 WAY 230V PARKER
18	7702409	SOLENOID VALVE 2 WAY 240V PARKER
19	5301504TR	ELBOW UNION 1/8"G X M12
20	7822603	NUT M4
21	7474219	FOOT
22	7816027	SCREW TCEI M5X8
23	7814002	NOTCHED WASHER D5 DIN 6798A A2
24	5037837.01LL	PUMP SQUARE
25	7470604	VIBRATION-DAMPING
26	5162236.01LL	SURPRESSION VALVE - HEAT EXCHANGER HOSE
26	5162404LL	FLOW METER-VALVE HOSE
27	5162237.01LL	BOILER LOAD HOSE
28	7613004	FAIRLEAD
29	5223003	JET M6 X 6 HOLE D0.8 OT
30	7431001	FLOW METER
31	5301506TR	UNION ELBOW M13x1/4"G
32	5191501	SPACER
33	5302019	FITTING 1/4"GxM13x1
35	5471001	INOX FILTER
36	5162403LL	FLOW METER-EXCHANGER HOSE

TABLE 2A Mod. R



POS	CODE	DESCRIPTION
1	5302017TP	STRAIGHT FITTING M12
2	5471505	CALIBRATED SPRING D0.45
3	5224615TP	GASKET-HOLDER
4	7496018	GASKET OR 105
5	5283053TP	SURPRESSION VALVE BODY
6	5471019	INOX WIRE FILER D8,5X5 AISI304
7	5493042	GASKET D.11X3
8	5224620TP	GASKET-HOLDER
9	5471539	CALIBRATED SPRING D.1,6
10	7496052	OR GASKET 114
11	5302077TP	RUBBER-HOLDER FITTING
12	5965212.01AL	ASSEMBLY SURPRESSION VALVE 12BAR

TABLE 3

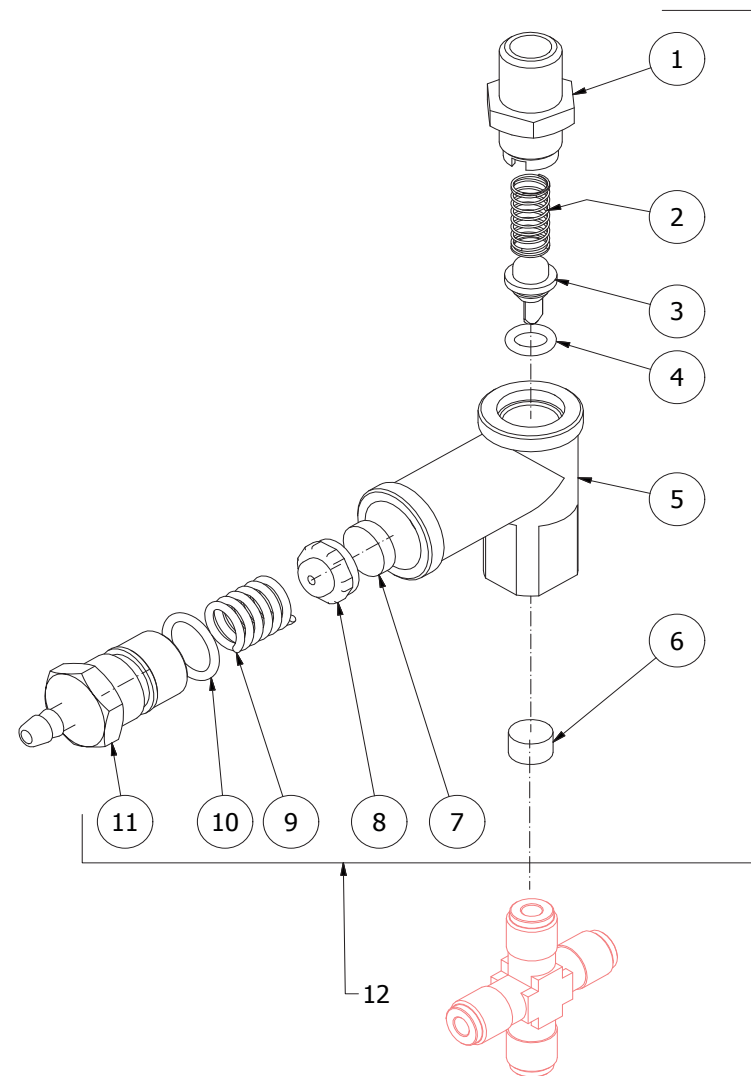


TABLE 4

POS	CODE	DESCRIPTION
1	7432522	PRESSURE GAUGE D40 3BAR
2	5221813	CAP NUT M12
3	5495007	GASKET D32 X 3 BRASS
4	5492025	GASKET D42x32x2 PTFE
5	5721127TP	HEATING ELEMENT 1350 110V
5	5722240TP	HEATING ELEMENT COPPER 220/240V - 1250/1450W
6	5302006TP	STRAIGHT FITTING 1/8"G X M12
7	5192301	SUCTION HOSE D6 L=130MM PTFE
8	5329019DC-AL	2 HOLES HEAT EXCHANGER 140MM
9	5162233LL	WATER TAP HOSE
10	5162402.01LL	PRESSURE GAUGE HOSE
11	7433013	PRESSURE SWITCH
12	5162239.01LL	VALVE HOSE
13	7452511	VALVE
14	7400901	PRESSURE GAUGE CAPILLARY
15	5265812	MINIMUM LEVEL PROBE D3 X 110 X 4.8
16	5265819	LEVEL PROBE D3 X 80 X 6.3
17	5192001	PROBE SHEATH D8 X 45 HOLE D3 PTFE
18	5225205	STRAIGHT FITTING M10 OT
19	5162234LL	STEAM TAP HOSE
20	5225417TP	FITTING M14XM13
21	7496052	ORING 114 VITON
22	5302005	STRAIGHT FITTING 3/8"G X M13
23	5320501.02BL	ASSEMBLY BOILER POLISHED
24	5492008	GASKET D10.5 X 2
25	7634808	AUTOMATIC THERMAL PROTECTOR
26	5227002	SCREW M8 X 6 OT
27	7452509.02	SECURITY VALVE 3/8"G
28	5225413	FITTING 1/2"X3/8"G

TABLE 4

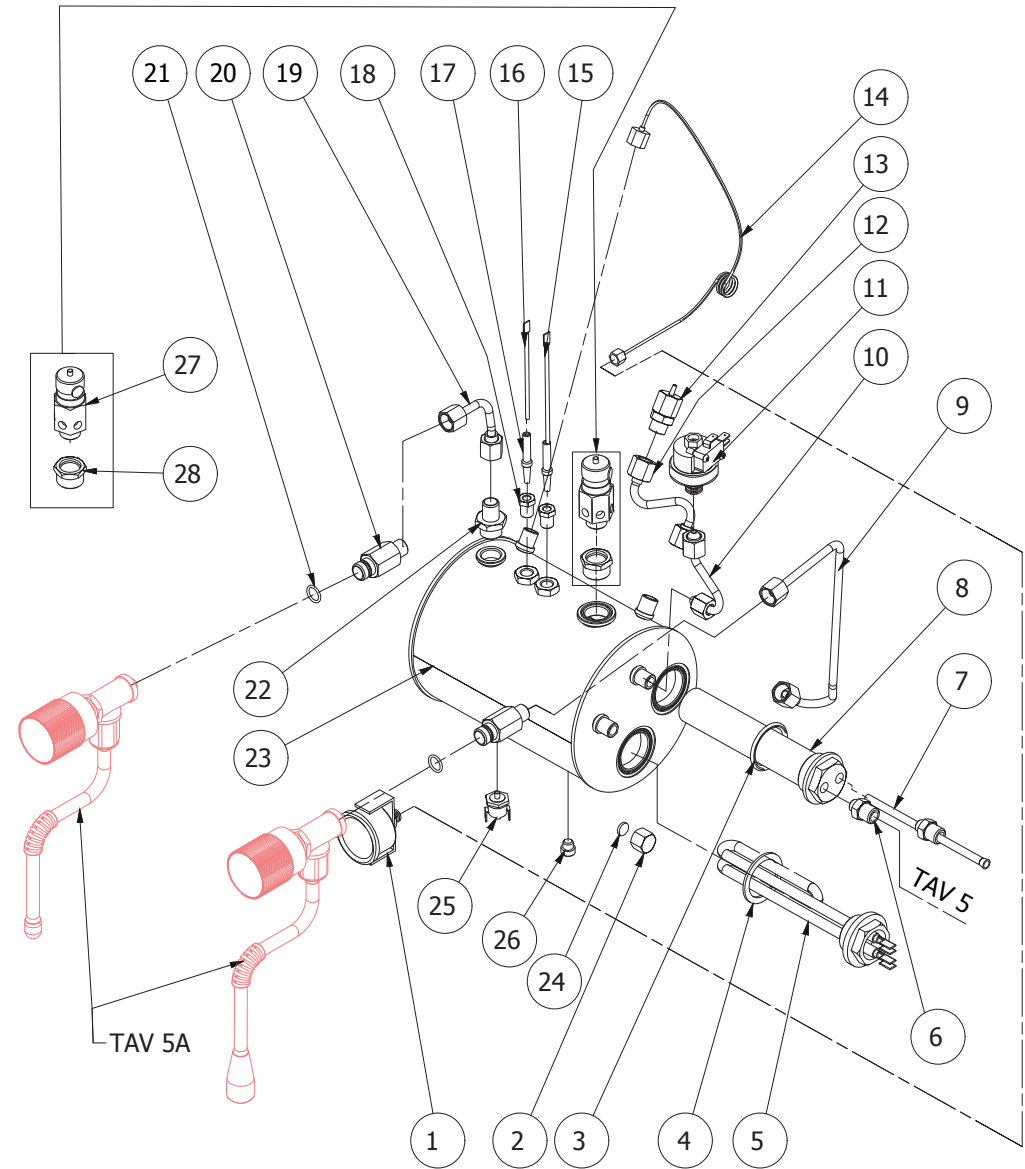
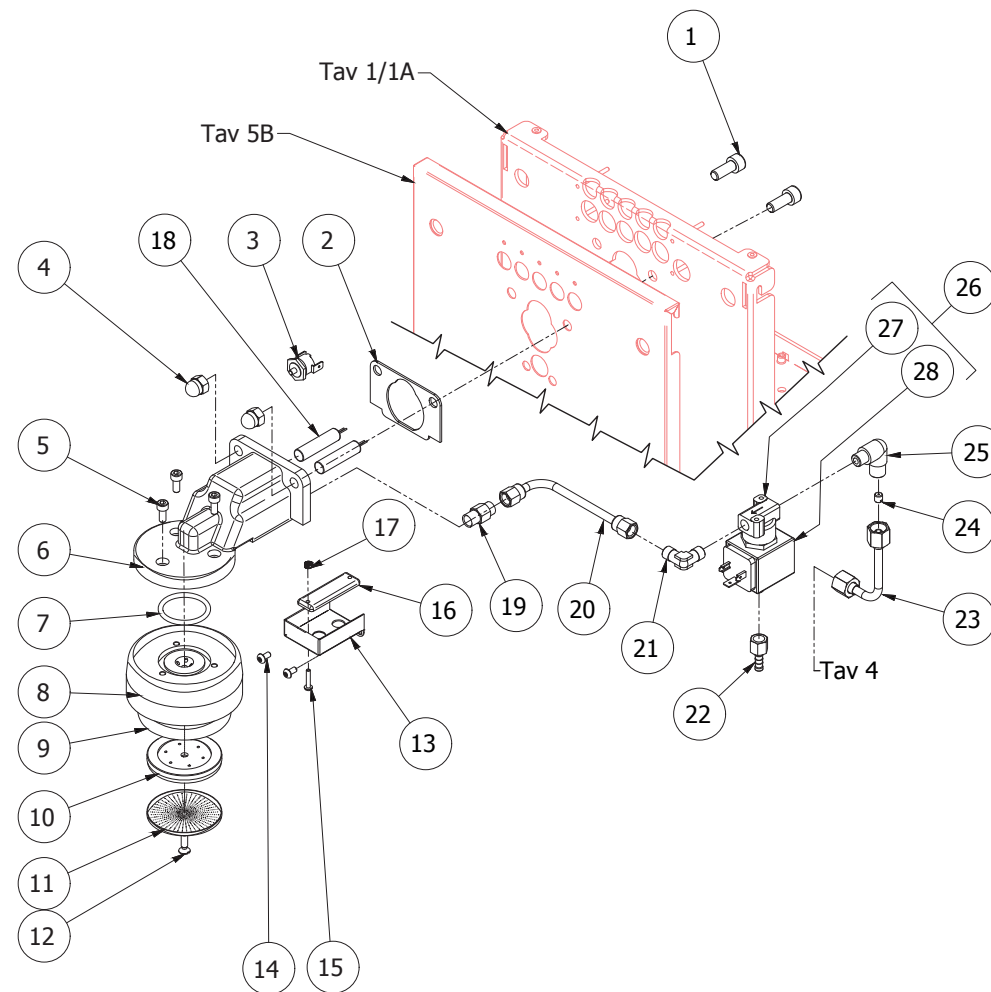


TABLE 5

POS	CODE	DESCRIPTION
1	7816014	SCREW M8X20
2	7493013	INSULATING GASKET
3	7634808	AUTOMATIC THERMAL PROTECTOR
4	5221863CM	CAP NUT M8 CHROMED
5	7816001	SCREW M5X12
6	5283046TW	GROUP BODY
7	7496004	ORING 139 VITON
8	5280502TW	VERTICAL COUPLING RING
9	7496092	ORING 55X8.1
10	5285501TP	SHOWER-HOLDER D57
11	5470501	SHOWER D57 WITH WEB
12	7817001	SCREW M5X16
13	5073032LW	BZ16 LED COVERAGE
14	7819908	SCREW TTEI M4X8
15	7809811	PLASTIC SCREW M3X16
16	7663623	12V WHITE LEDS
17	7822602	M3 UNI5587 NUT M3
18	5963097.01	ASS. DOUBLE CARTRIDGE RESISTANCE 110V
18	5963098.01	ASS. DOUBLE CARTRIDGE RESIST. 220/240V
19	7304502TR	STRAIGHT FITTING 1/8"G
20	5162397LL1	GROUP-SOLENOID VALVE HOSE
21	7303001TR	UNION ELBOW 1/8"G
22	5370313	RUBBER-HOLDER D11 OT
23	5162396LL	EXCHANGER HOSE-GROUP
24	5223005TP	JET M6 X 6 HOLE D0.8 OT
25	5301504TR	UNION ELBOW 1/8"G MF OT
26	7701112	SOLENOID VALVE 3 WAY 115V PARKER
26	7702311	SOLENOID VALVE 3 WAY 230V PARKER
26	7702410	SOLENOID VALVE 3 WAY 240V PARKER
27	7703014	SOLENOID VALVE WITHOUT COIL PARKER
28	7630332	SOLENOID VALVE COIL 115V PARKER
28	7630331	SOLENOID VALVE COIL 230V PARKER
28	7630330	SOLENOID VALVE COIL 240V PARKER

TABLE 5



POS	CODE	DESCRIPTION
1	5224603	GASKET HOLDER D12X12 OT
2	5283055TW	TAP BODY 3/8"G
3	5221826CM	CHROMED 3/8"G NUT
4	5964098	ASSEMBLY CHROMED TAP SHAFT
5	5371802	KNOB D40 ABS BLACK
6	7804002	VENT. WASHER D6
7	7805004	WASHER D6
8	7826202	SCREW M5X10
9	5373903CM	KNOB STEAM CHROMED COVER
10	7496072	ORING 121
11	5471532	SPRING
12	5190501	CUP FOR FITTING PTFE/GLASS
13	5494017	ARTICULATION GASKET
14	7479990.02TW	STEAM HOSE 2 HOLES TERMINAL
15	5373904CM	KNOB WATER CHROMED COVER
16	5260203DL	SHAFT D12X47
17	5471513	SPRING D8 H17
18	5261801	ARTICULATION GASKET
19	5494004	PTFE GASKET D12X5X6
20	7479985.02TW	WATER HOSE WELDED INOX
21	5496042	GASKET D11X4X4

TABLE 5A

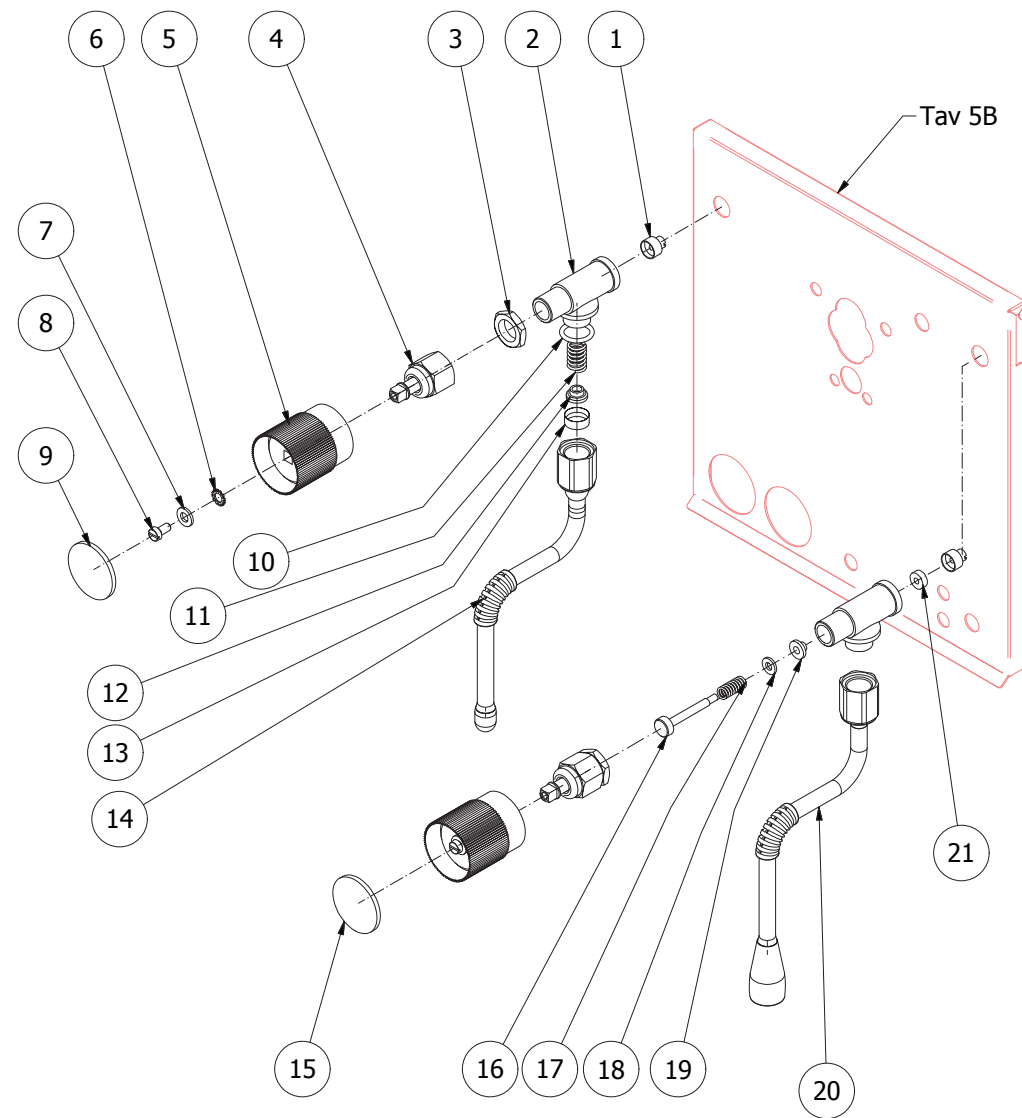
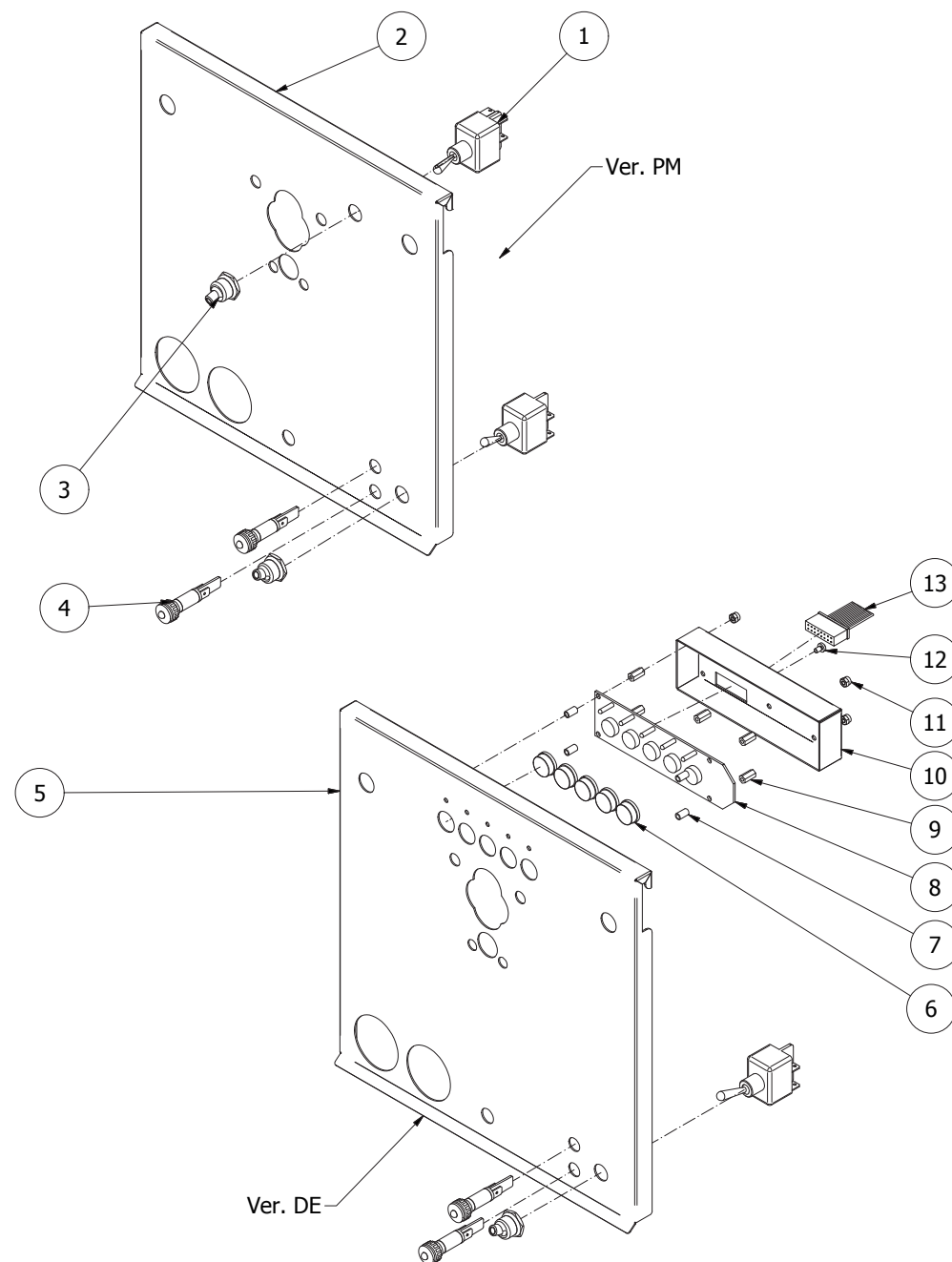


TABLE 5B

POS.	CODE	DESCRIPTION
1	7633326	BIPOLAR SWITCH
2	5074907SG	GROUP FRONTAL BZ16 PM SILK-SCREEN-PRINTED
3	7372507	PRTOTECTION WITH NICHEL-PLATED NUT
4	7633628	WHITE CONTROL LIGHT
5	5074906SG	GROUP FRONTAL BZ16 DE SILK-SCREEN-PRINTED
6	5661501	6 BUTTON PACK BLACK ABS
7	5191513	PLASTIC SPACER L=7 mm
8	7665524PR	6 BUTTONS BOARD WITH 6 WHITE LEDS
9	5191511	EXAGONAL PLASTIC SPACER L10MM M3
10	5053024.01LW	PUSH-BOTTON PANEL COVERAGE
11	7802401	NUT M3 ZINC-PLATED
12	7809809	PLASTC M3X5 SREW
13	7636604	8 POLES LINK CABLE

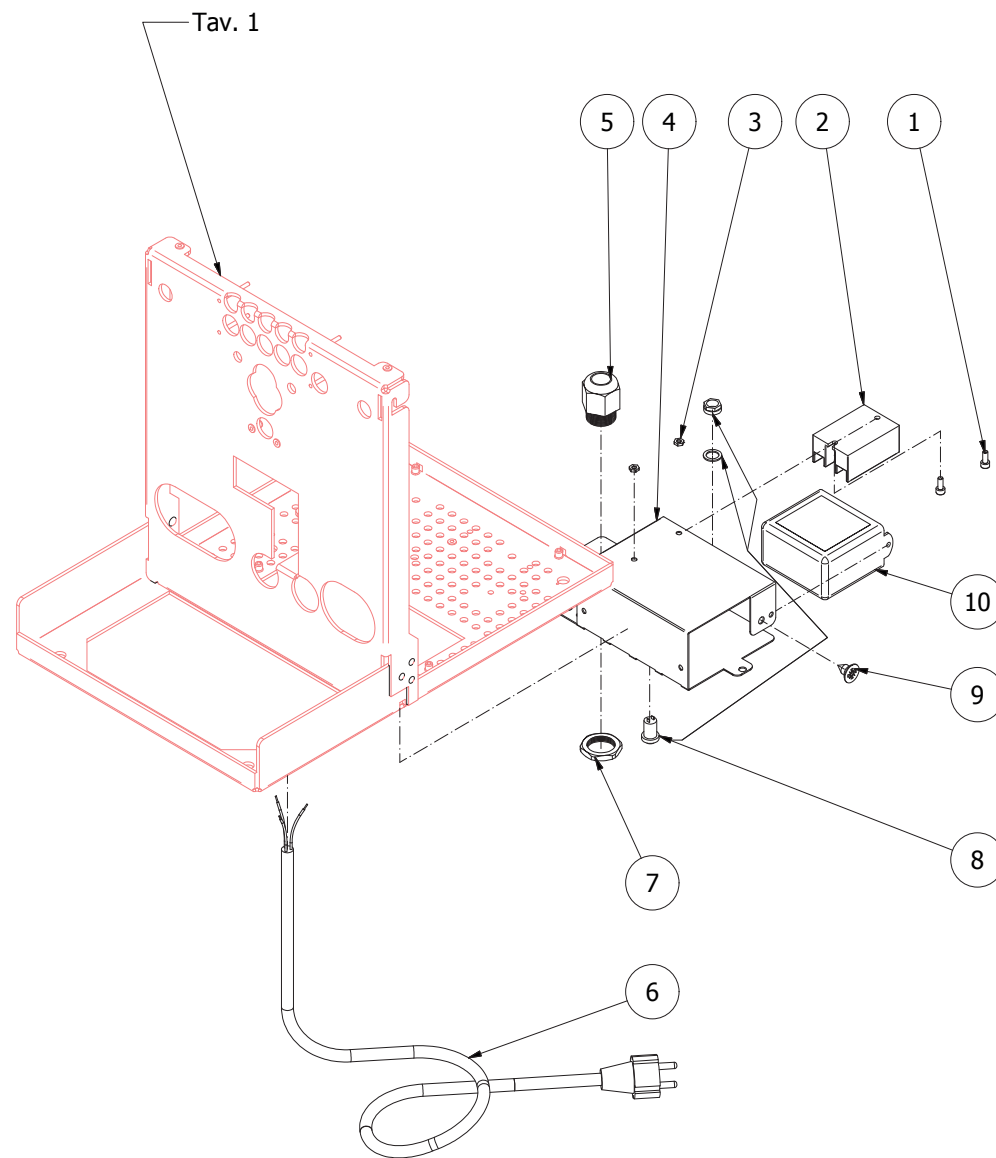
TABLE 5B



POS.	CODE	DESCRIPTION
1	7816009	M4X10 SCREW
2	7635424.01	RELAY SSR
3	7812601	NUT M4
4	503509.02LW	ELECTRIC PARTS SUPPORT PLATE
5	7614007	CABLE HOLDER
6	7551001	CABLE WITH USA PLUG 125V 15A
6	7551003	CABLE WITH USA PLUG 250V 20A
6	7555001	CABLE WITH SHUKO PLUG
6	7554001	CABLE WITH ENGLISH PLUG 13A
6	7552001	CABLE WITH AUSTRALIAN PLUG 10A
6	7555003	CABLE WITH SWISS PLUG 10A
7	7614006	NUT PG13,5
8	7633346	LED SWITCH
9	7819404	TAPPING SCREW TPS D4.8X16 UNI 6955 A2
10	7662672.01PR	ELECTRONICAL DOSAGE 1GR 3S 110-240V

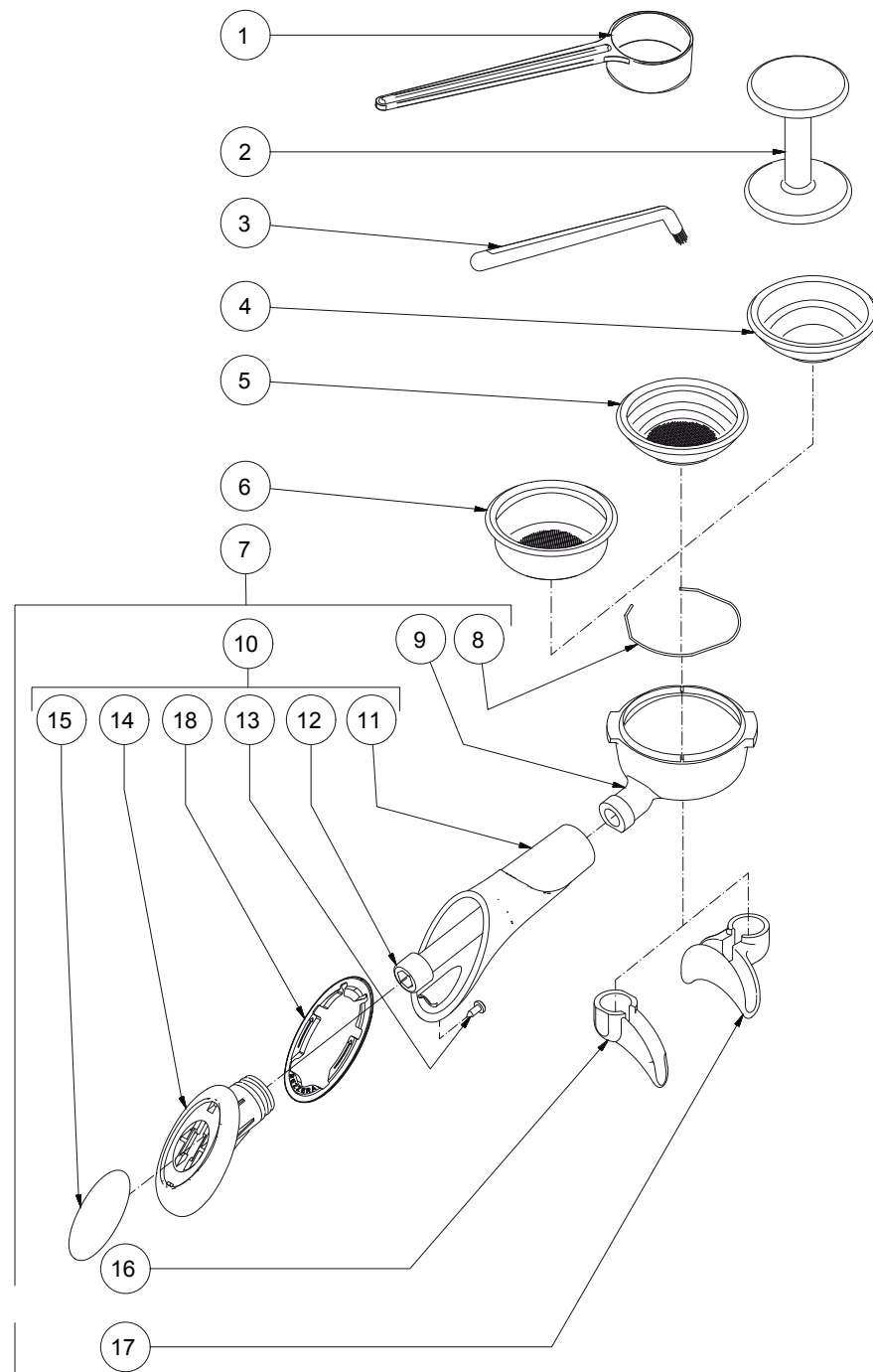
TABLE 6

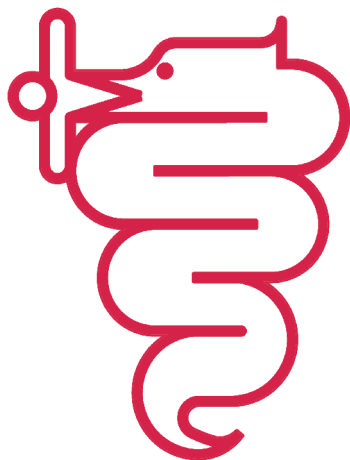
TABLE 6



POS	CODE	DESCRIPTION
1	5372101	MEASURER
2	5373001	COFFEE-PRESS
3	7990603	CLEANING BRUSH
4	5471003	BLIND FILTER
5	5471031.01	FILTER 1 CUP 8 GRAMS WITH RUN CHANNEL
6	5471021.01	FILTER 2 CUPS 12 GRAMS WITH RUN CHANNEL
6	5471035	FILTER 2 CUPS 16 GRAMS WITH RUN CHANNEL
7	5965586.01R	ASSEMBLY COMPLETE FILTER-HOLDER 1 CUP
7	5965587.01R	ASSEMBLY COMPLETE FILTER-HOLDER 2 CUPS
8	5471527	FILTER-HOLDER SPRING D1.2 AISI 302
9	5286016TW	FILTER-HOLDER
10	5978508.01	KNOB
11	5371203	HANDLE
12	7816026	SCREW TCEI M12X60
13	7809810	SCREW TC M3.5X10
14	5371204	PLUG CHROMED
15	5371205	PLATE WITH LOGO
16	7305006TW	SPOUT 1 WAY
17	7305007TW	SPOUT 2 WAY
18	7493021	GASKET

TABLE 7





BEZZERA

Dal 1901

G.BEZZERA S.R.L.

MACCHINE PER CAFFE' ESPRESSO

Via Luigi Bezzera,1

20088 Rosate - Milano - Italy

Tel. 02 90848102 r.a. - Telefax 02 90870287

Web: www.bezzera.com

e-mail: admin@bezzera.it