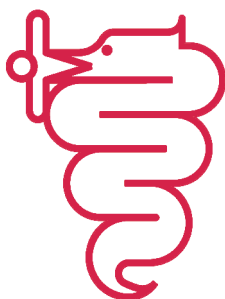


HOB01



BEZZERA

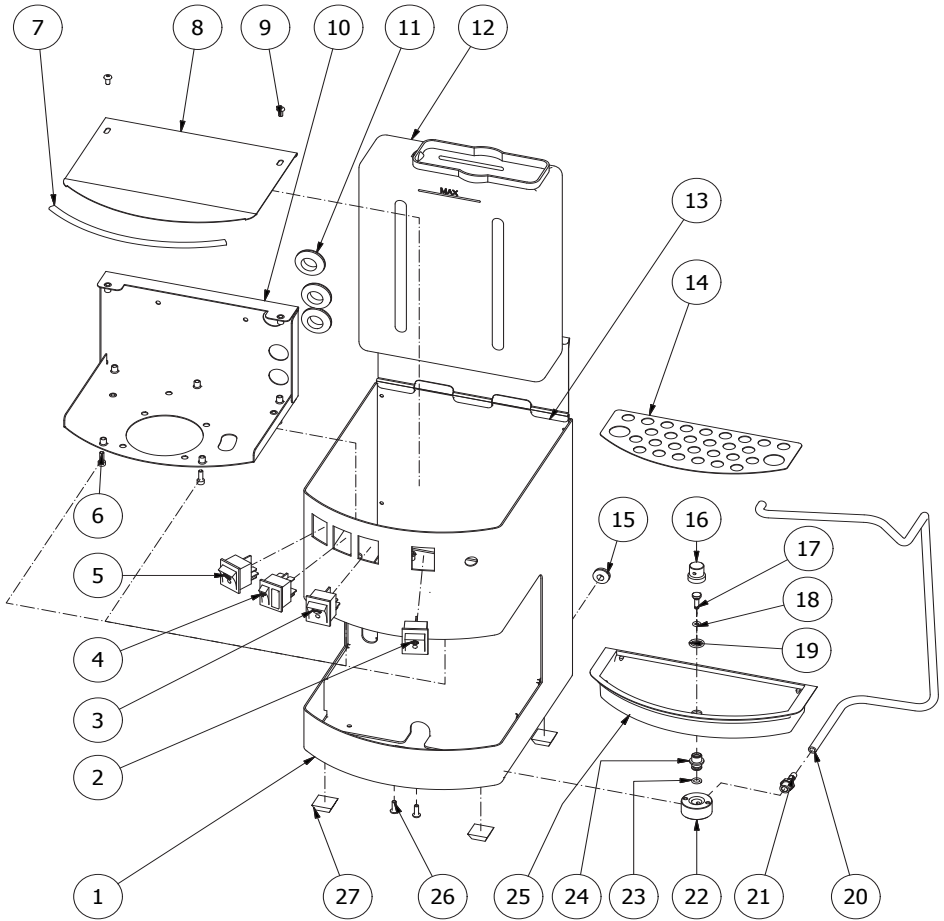
Dal 1901

COD. 9942062

REV.00

	POS	CODE	DESCRIPTION
TABLE 1	1	5345001.02VH	PAINTED CHASSIS BLACK
	1	5345001.02VT	PAINTED CHASSIS RED RAL 3000
	1	5345007.01	INOX CHASSIS
	2	7633343	BIPOLAR SWITCH WITH LED STEAM
	3	7633342	BIPOLAR SWITCH WITH LED COFFEE
	4	7632108	UNIPOLAR SWITCH 250V 16A WITH GREEN LAMP
	5	7633341	BIPOLAR SWITCH WITH LED ON/OFF
	6	7816002	SCREW TCEI M4X12
	7	5192004	SHEATH
	8	5096324LW	CUPS-HEATER
	9	7819908	SCREW TTEI M4X8
	10	5058448LL	BOILER SUPPORT
	11	7613004	FAIRLEAD WITH HOLE RUBBER
	12	7373009	TANK 3 LT. CAPACITY
	13	5345002	COMPLETE REAR PANEL
	14	5094517	DRAIN GRID
	15	7613503	FAIRLEAD M10V RUBBER
	15	7613007	FAIRLEAD M17V
	16	5191003	VALVE BODY
	17	5224002	STUD D8.5 X 17.5 OT
	18	7496035	OR GASKET D4.2 X 1.9 VITON
	19	7496076	OR GASKET 112
	20	5194582	HOSE 8X5 L=750 SILICONE
	21	5224415	RUBBER-HOLDER D6X1/8"G
	22	5302081	DRAIN FITTING
	23	7496018	GASKET OR 105
	24	5302080	VALVE FITTING
25	7373004LL	WATER TANK	
26	7819901	SCREW TTEI M4X12	
27	7474212	ADHESIVE FEET	

TABLE 1



	POS	CODE	DESCRIPTION
TABLE 2	1	7496092	OR GASKET 55X8 NBR
	2	7817007	VIS TPS M5 X 12
	3	5470501	SHOWER D57 AISI 304
	4	5285501TP	SHOWER-HOLDER D57
	5	5222824	RING NUT M12X6,5
	6	7816002	SCREW TCEI M4X12
	7	5280514TW	COUPLING RING CHROMED
	8	7811401	NUT M6
	9	5229918TP	HOSE
	10	7303042TR	UNION ELBOW 1/8"G
	11	5194594	HOSE PTFE D4x1 L=120
	12	5194613	OUTLET HOSE
	13	5264020TP	STUD
	14	7496018	GASKET OR 105
	15	7634821	THERMIC SAFETY DEVICE 250V 105°C AUTOMATIC
	16	7634815	THERMIC SAFETY DEVICE 250V 140°C AUTOMATIC
	17	7825005	PLAIN WASHER D13 X 6.7 X 0.5
	18	5226411TP	PLUG 1/8"G ES.12 H10 HOLE M4 OT
	19	7634814	THERMIC SAFETY DEVICE 250V 160°C MANUAL
	20	5283054TP	UPPER BOILER D70 H59 OT
	21	5721201	HEATING ELEMENT 1100W 120V WITH GASKET
	21	5722424	HEATING ELEMENT 1100W 220/230V WITH GASKET
	21	5722428	HEATING ELEMENT 1100W 240V WITH GASKET
	22	7496060	OR GASKET 177 VITON
	23	5287508TP	COUPLING RING SUPPORT
	24	5492023	GASKET D103 X 73 X 0.5 ASBESTOS FREE
	25	5493044	GASKET D72X58X3 SILICONE
	26	7811601	SELF-LOCKING NUT M5 UNI 7474 A2
	27	5166003TW	HOSE D14 X 12 X 62 OT CHROMED
	28	7496003	OR GASKET 108 VITON
	29	5162050TW	WATER/STEAM HOSE CHROMED
	30	7496037	OR GASKET D6 X 2 VITON
	31	5221801	NUT M13 H4 OT
	32	5966564	ASSEMBLY COMPLETE WATER/STEAM HOSE
	33	7611515	CLAMP
	34	5194611	HOSE D8X5 L=140MM SILICONE
	35	7303039	FITTING "Y"
	36	5373901	STEAM PLUG D21
	37	7816205	SCREW TCI M4X10 UNI 6107 OT
	38	7814001	WASHER Ø 4
	39	5371801	KNOB D32
	40	5221866	NUT M13 X 1 ES.16 H11.5 HOLE D9 OT
	41	7810605	RING D5 UNI 7434 A2
	42	5220202TP	SHAFT D8 X 65.2 OT
43	7496065	OR GASKET D5 X 1.8 VITON	
44	5283034TP	TAP BODY (NEW)	

TABLE 2

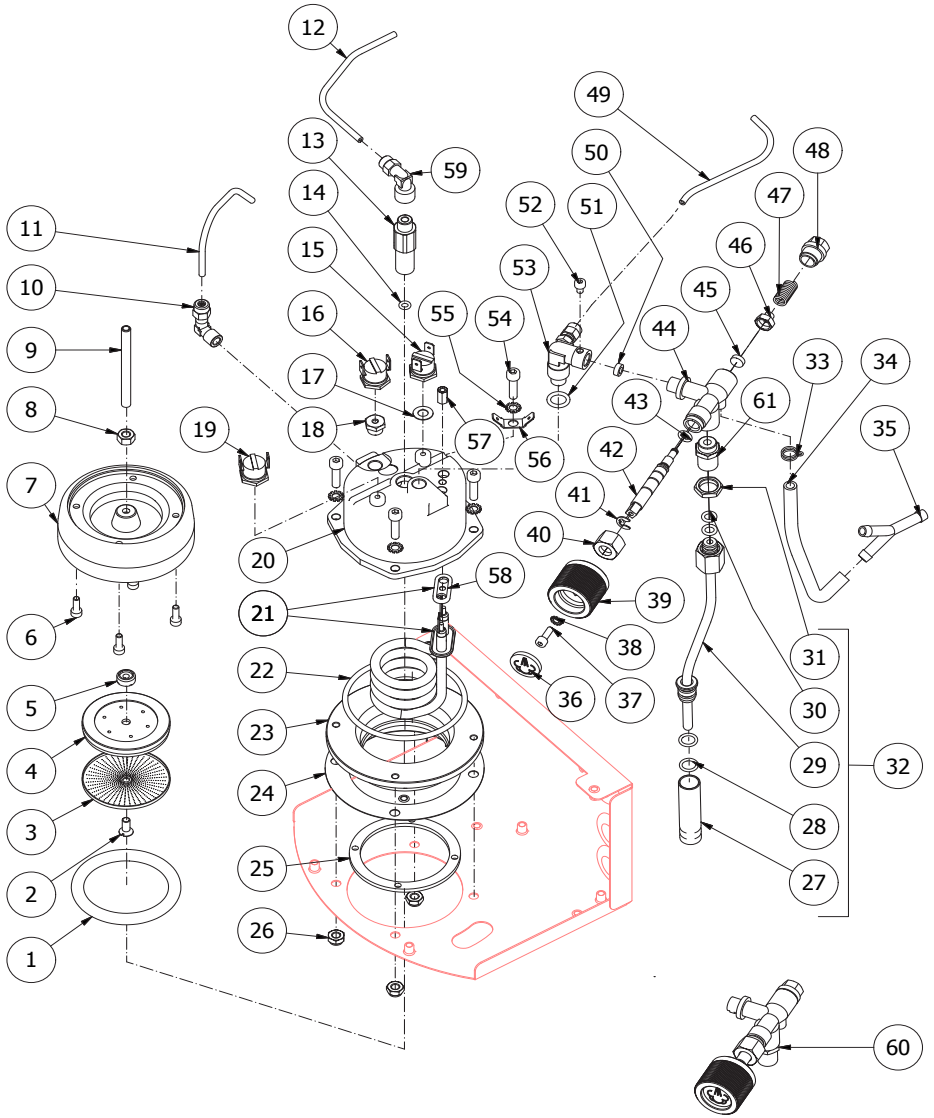
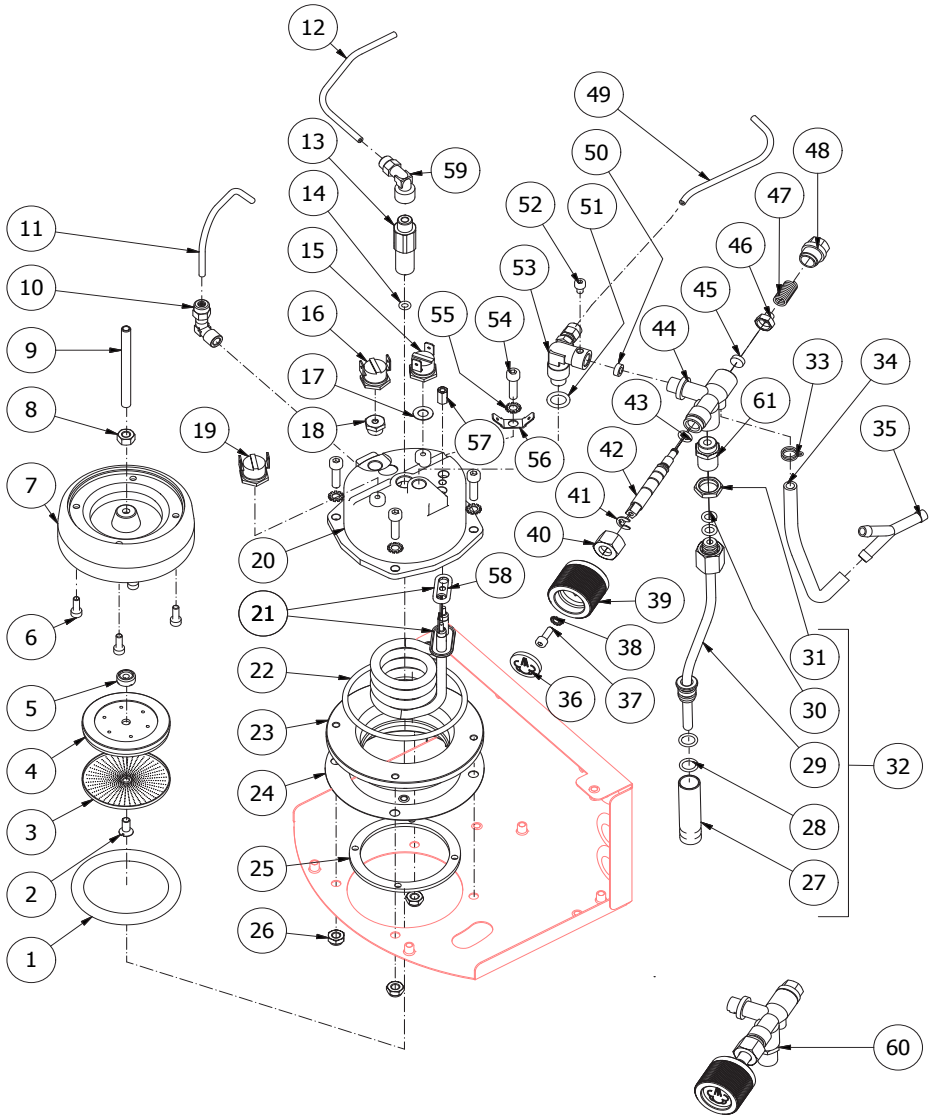


TABLE 2



	POS	CODE	DESCRIPTION
TABLE 3	1	7614005	CABLE-PRESS
	2	7816002	SCREW TCEI M4X12
	3	7630332	SOLENOID VALVE COIL 115V PARKER
	3	7630331	SOLENOID VALVE COIL 230V PARKER
	3	7630330	SOLENOID VALVE COIL 240V PARKER
	4	7303036TR	STRAIGHT FITTING 1/8"G OT
	5	7701112	SOLENOID VALVE 3 WAY 115V PARKER
	5	7702311	SOLENOID VALVE 3 WAY 230V PARKER
	5	7702410	SOLENOID VALVE 3 WAY 240V PARKER
	6	5370313	RUBBER-HOLDER
	7	7303042TR	UNION ELBOW 1/8"G
	8	7731019	VIBRATION PUMP EX5 120V WITH OR
	8	7731020	VIBRATION PUMP EX5 230V WITH OR
	8	7731021	VIBRATION PUMP EX5 240V WITH OR
	9	7496018	OR GASKET 105 VITON
	10	5194586	HOSE D8X5 L=200MM SILICONE
	11	7452512	VALVE
	12	7496085	OR GASKET D7.2X1.9 NBR 70SH
	13	5225411TP	FITTING 1/8"G MF
	14	7634816	THERMIC SAFETY DEVICE 100°C AUTOMATIC
	15	5194619	HOSE D15X12 L=13MM SILICONE
	16	5194551R	HOSE WITH FILTER
	17	7374015	FILTER
	18	7303006	RUBBER-HOLDER FITTING
	19	7470602	VIBRATION-DAMPING
20	7816004	SCREW TCEI M4X16	
21	7805009	PLAIN WASHER D5 X 11 X 1	
22	7303039	FITTING "Y"	
23	5194540	HOSE D8X5 L=300MM SILICONE	
24	7555001	CABLE WITH SCHUKO PLUG	
24	7551001	CABLE WITH USA PLUG 125V 15A	
24	7551003	CABLE WITH USA PLUG 250V 20A	
24	7554001	CABLE WITH ENGLISH PLUG	
24	7555003	CABLE WITH SWITZERLAND PLUG	
25	7819912	SCREW TTEI M4X6	

TABLE 3

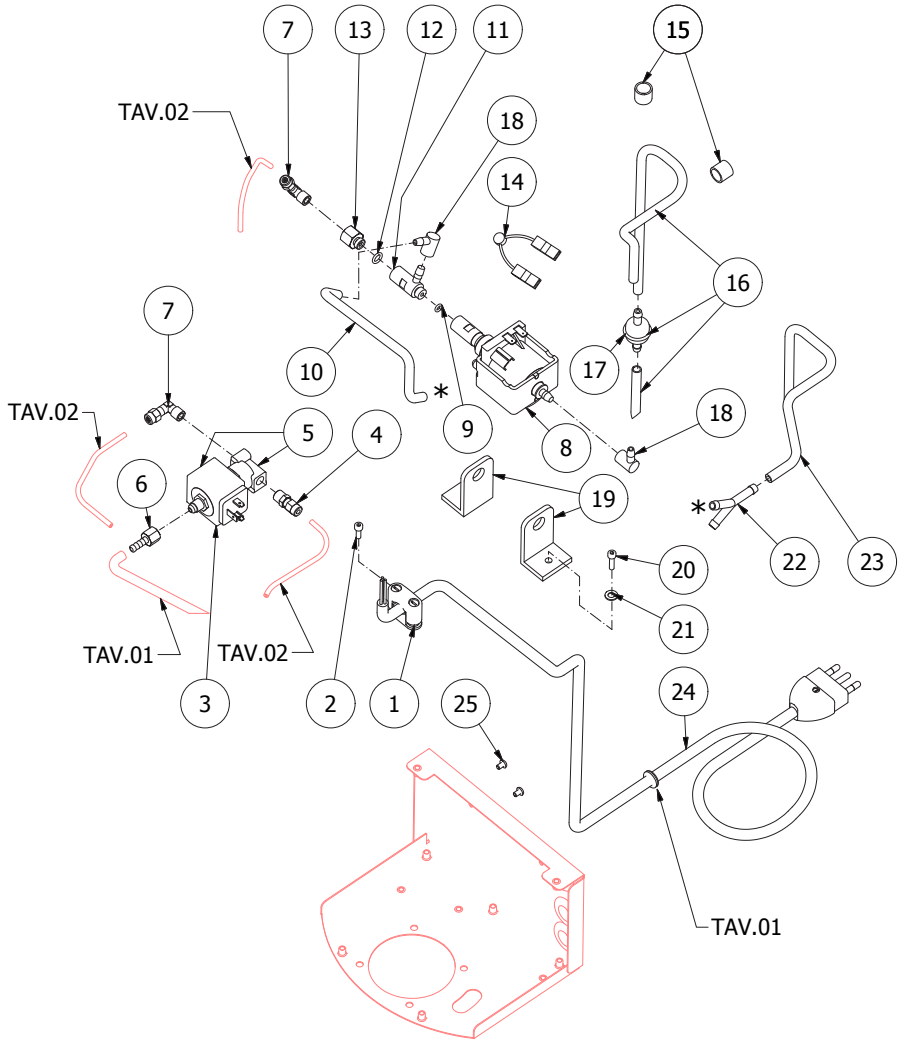
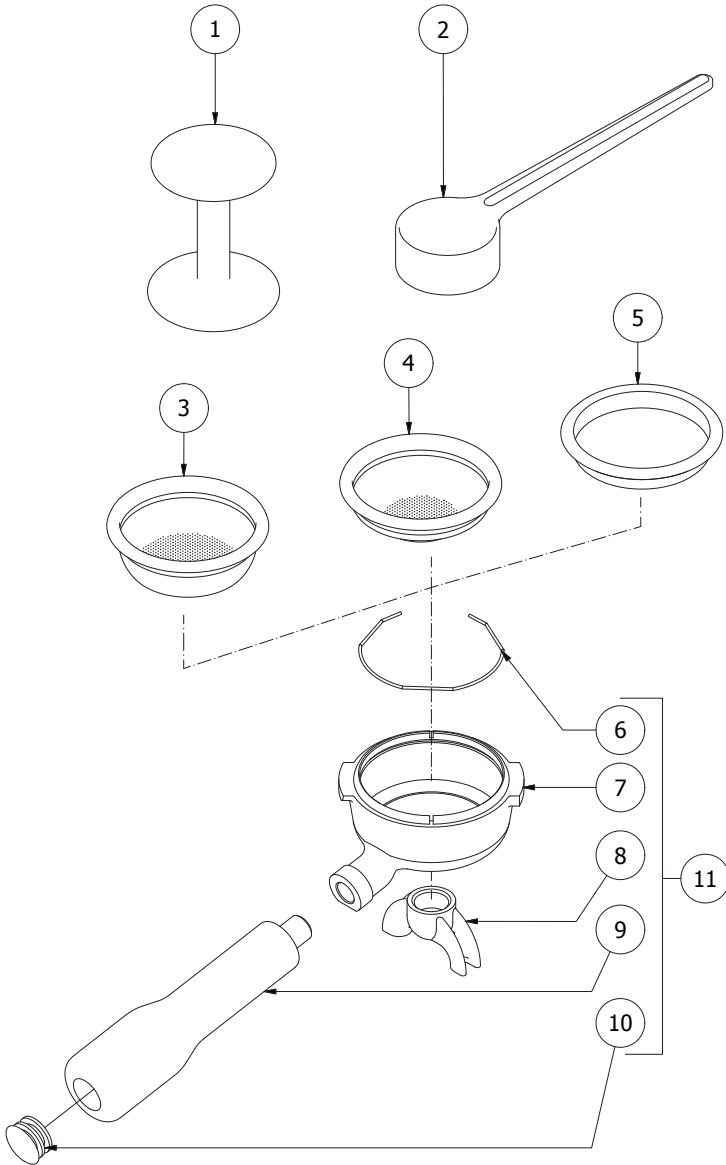


TABLE 4





BEZZERA

Dal 1901

G.BEZZERA

MACCHINE PER CAFFE' ESPRESSO

Via Luigi Bezzera,1

20088 Rosate - Milano - Italy

Tel. ++39 02 90848102 r.a. - Telefax ++39 02 90870287

Web: www.g.bezzera.it

e-mail: commerciale@bezzera.it