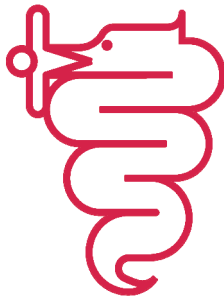


MAGICA



BEZZERA

Dal 1901

COD. 9942049.04

REV.02

TABLE 2

POS	CODE	DESCRIPTION
1	7373006.03	TANK
2	7812601	NUT M4 STAINLESS STEEL
3	7374004	WASHER D4 NYLON
4	7819908	SCREW TTEI M4X8
5	5194540	HOSE 8X5 L=300 SILICONE
6	5224409	RUBBER-HOLDER D7,5
7	7496073.01	OR GASKET 115 EP856
8	5471521.01	COUPLING SPRING
9	5471509	BALL 7/32" AISI 304
10	5224617	GASKET-HOLDER D14.5 X 25 OT
11	5963009.03	ASSEMBLY TANK SUPPORT
15	5221830	NUT M20 H5 OT
16	5225228	FITTING M20 H28.5 OT
17	7826206	SCREW TCI M3X30 UNI 6107 OT
18	5225246	FITTING 1/8"G CONIC ES.10 H33 OT
19	5194529	CRISTAL HOSE D6 X 9 L=150MM
20	7611512	CLAMP
21	7731018	VIBRATION PUMP EX5 100V C/OR
21	7731019	VIBRATION PUMP EX5 120V WITH OR
21	7731022	VIBRATION PUMP EX5 220V 60HZ WITH OR
21	7731020	VIBRATION PUMP EX5 230V WITH OR
21	7731021	VIBRATION PUMP EX5 240V WITH OR
22	7303006	RUBBER-HOLDER FITTING
23	7303036TR	STRAIGHT FITTING 1/8"G OT
24	7634816	THERMIC SAFETY DEVICE 100°C AUTOMATIC
25	7470602	VIBRATION-DAMPING
27	7805009	PLAIN WASHER D5 X 11 X 1
28	7816004	SCREW TCEI M4 X 16
29	7701111	SOLENOID VALVE 2 WAY 115V PARKER
29	7702310	SOLENOID VALVE 2 WAY 230V PARKER
29	7702409	SOLENOID VALVE 2 WAY 240V PARKER
30	7630327	SOLENOID VALVE COIL 110V PARKER
30	7630328	SOLENOID VALVE COIL 220/230V PARKER
30	7630329	SOLENOID VALVE COIL 240V PARKER
32	5301504TR	UNION ELBOW 1/8"G X M12
33	7303034TR	UNION ELBOW 1/8"G OT
34	7304001TR	UNION 1/8"G
35	5221844	NUT 1/8"G H3
36	5194590	PUMP-SOLENOID VALVE HOSE
37	5162237.01LL	BOILER LOAD HOSE
38	5162236.01LL	SURPRESSION VALVE - HEAT EXCHANGER HOSE
39	7400902	PUMP PRESSURE GAUGE CAPILLARY
40	7432523	PRESSURE GAUGE D40 16BAR
46	5194592	DRAIN HOSE SURPRESSION VALVE
47	5471535	TANK SUPPORT SHAPED SPRING
48	7809806	SCREW TC M 3,5X8 PLASTITE

TABLE 2

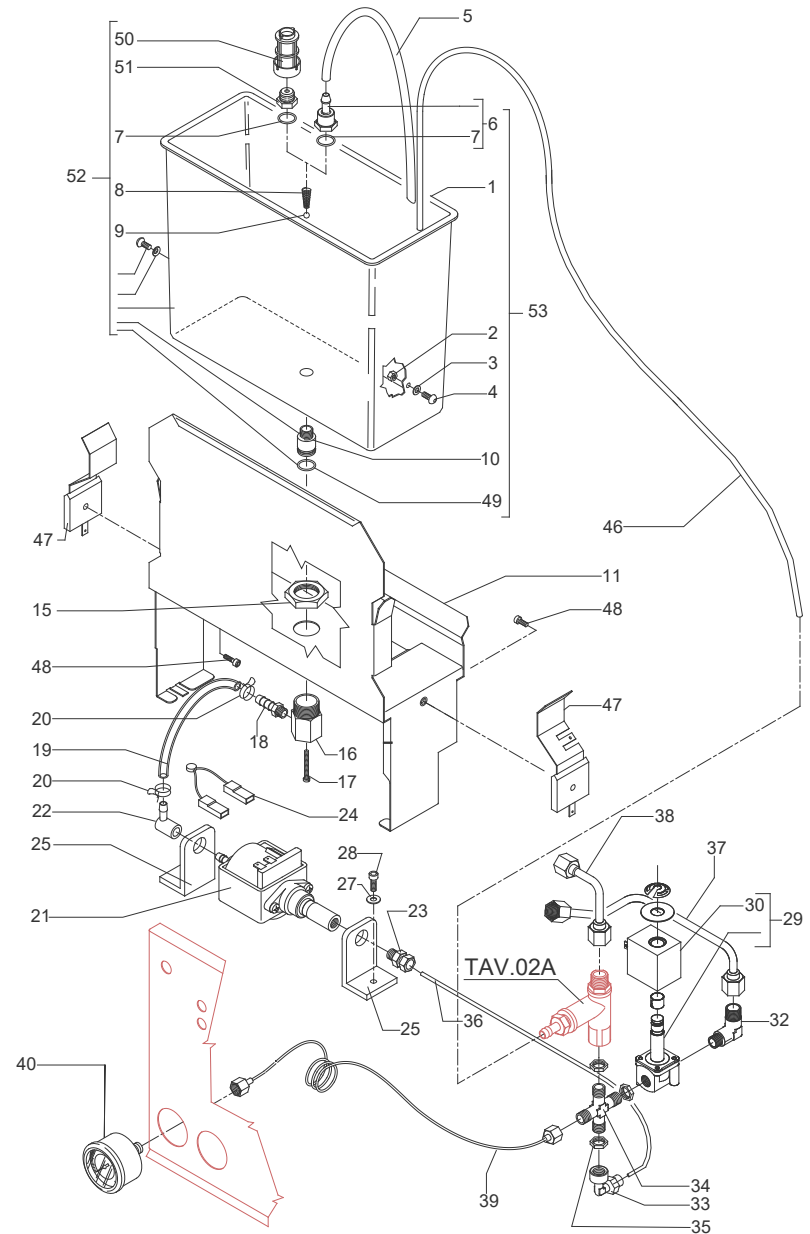


TABLE 2A (from 31.10.12)

POS	CODE	DESCRIPTION
1	5302077TP	RUBBER-HOLDER FITTING
2	5471539	CALIBRATED SPRING D.1,6
3	7496052	OR GASKET 114
4	5224620TP	GASKET-HOLDER
5	7496018	OR GASKET 105 VITON
6	5283053TP	SURPRESSION VALVE BODY
7	5224615TP	GASKET-HOLDER
8	5471505	CALIBRATED SPRING D0.45 H22 AISI 302
9	5302017TP	STRAIGHT FITTING M12 H26.5 OT
10	5965212.01AL	ASSEMBLY SURPRESSION VALVE 12BAR
11	5493042	GASKET D.11X3
12	5471019	INOX WIRE FILTER D8,5X5 AISI304

TABLE 2A (from 31.10.12)

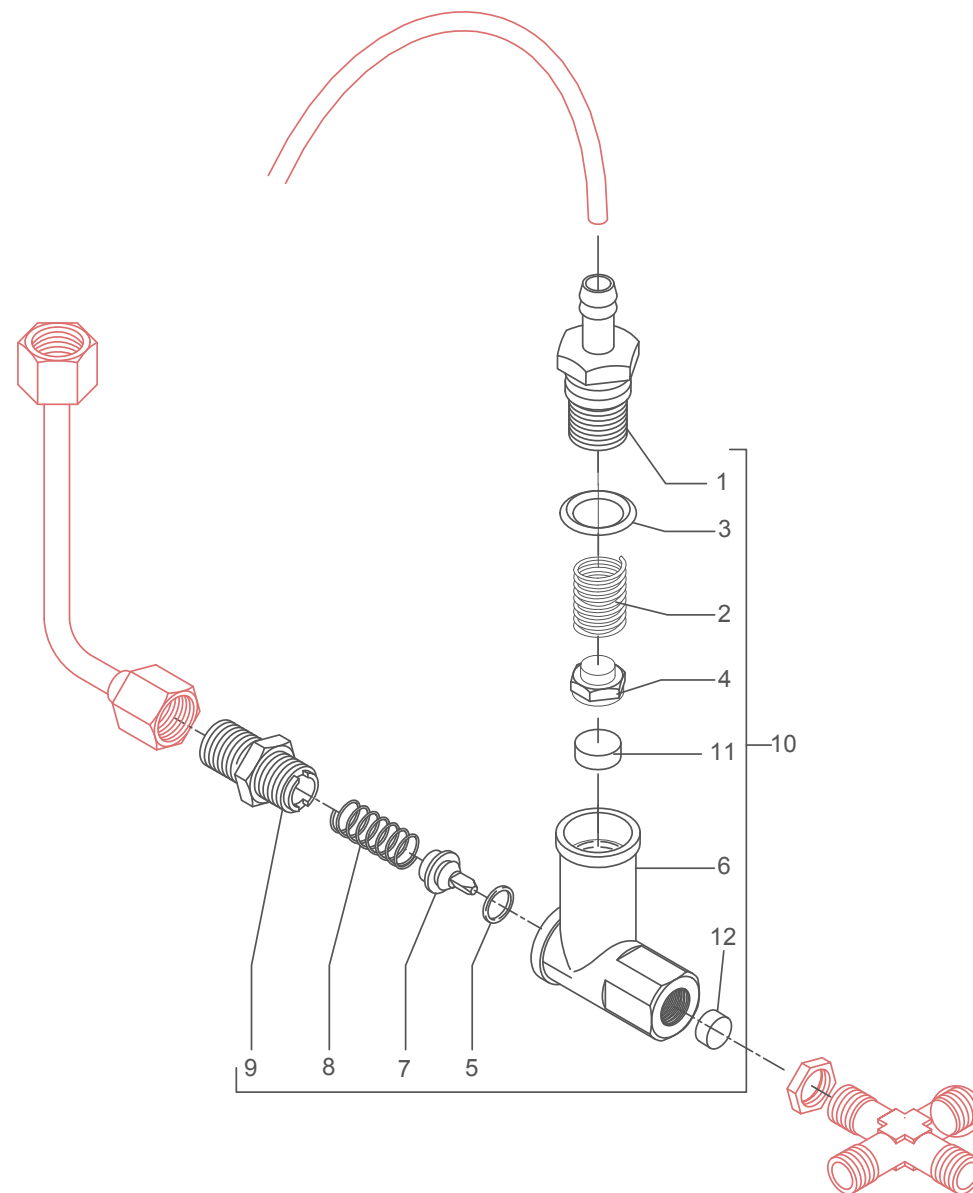


TABLE 3

POS	CODE	DESCRIPTION
1	7432522	PRESSURE GAUGE D40 3BAR
2	7400901	BOILER PRESSURE GAUGE CAPILLARY(PM PID)
3	5162234LL	STEAM TAP HOSE(PM)
3	5162395LL	STEAM TAP HOSE(PM PID)
4	5302005	STRAIGHT FITTING 3/8"G X M13(PM)
4	5225412	FITTING PROBE(PM PID)
5	5265819	LEVEL PROBE D3 X 80 X 6.3
6	5265812	MINIMUM LEVEL PROBE D3 X 110 X 4.8
7	5225205	STRAIGHT FITTING M10 OT
8	5192001	PROBE SHEATH D8 X 45 HOLE D3 PTFE
9	7452511	VALVE
11	5162239.01LL	VALVE HOSE
12	7452510.02R	ASSEMBLY SAFETY VALVE
13	5162233LL	WATER TAP HOSE
14	7433013	PRESSURE SWITCH XP/100 1/4"G
15	5162235LL	PRESSURE GAUGE HOSE
18	5320501.02BL	ASSEMBLY BOILER POLISHED
19	7434009	THERMOSTAT MANUAL 16A 135°C
20	5227007	DOWEL M8 X 6 HOLE M4
21	5492008	GASKET D10.5 X 2
22	5221813	CAP NUT M12
23	5492025	GASKET D42x32x2 PTFE
24	5721127TP	HEATING ELEMENT 1350 110V
24	5722240TP	HEATING ELEMENT COPPER 220/240V - 1250/1450W
25	5163204LL	BOTTOM HEATING HOSE
26	5164067.01LL	UPPER HEATING HOSE
27	5329020DC-AL	EXCHANGER 3 HOLES
28	5495007	GASKET D32 X 3 BRASS
29	5301521TR	UNION ELBOW 1/8"X3/8"
32	5192301	SUCTION HOSE D6 L=130MM PTFE
33	5302006TP	STRAIGHT FITTING 1/8"G X M12
34	5301520TR	UNION ELBOW 1/8"G
35	5227002	SCREW M8 X 6 OT

TABLE 3

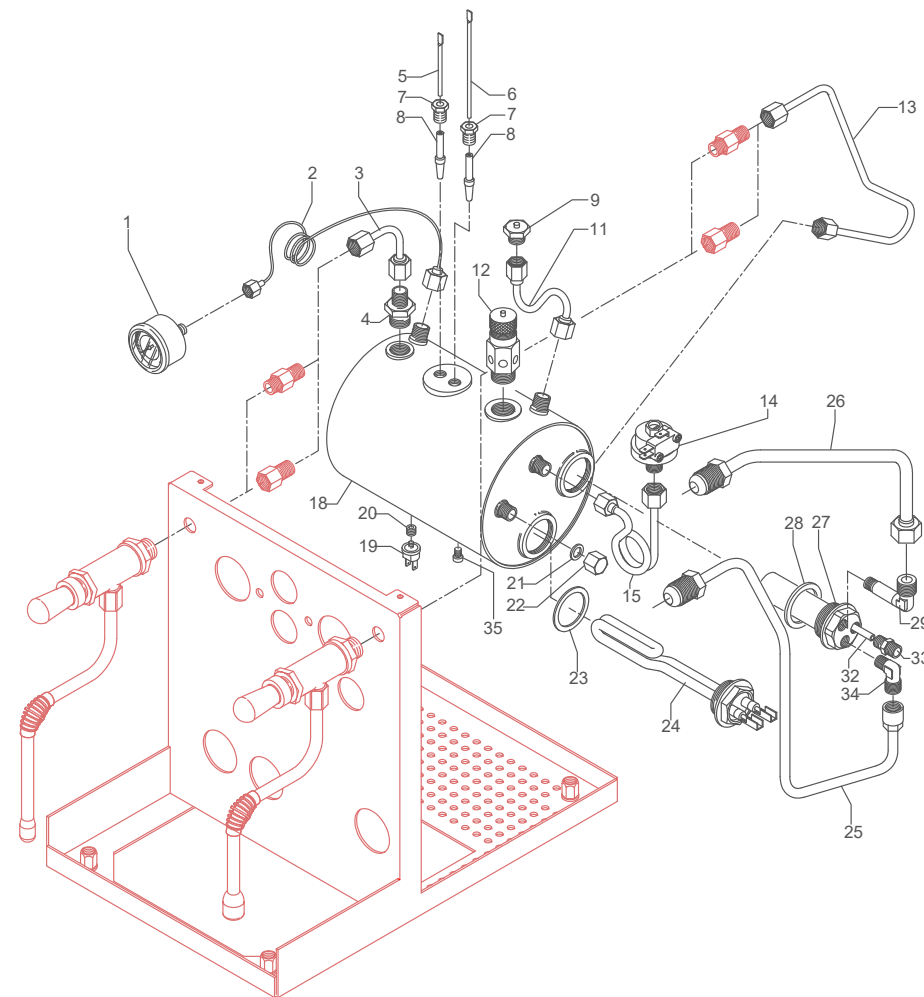


TABLE 4 (up to 28.01.14)

POS	CODE	DESCRIPTION
1	7371511.01	LEVER KNOB
2	5222823CM	RING NUT 3/8"G H17
3	5225608	ARTICULATION M8 INOX
4	5260203DL	SHAFT D12X47
5	5471513	SPRING
6	5261801	WASHER D11
7	7496072	OR GASKET 121
8	5471532	SPRING
9	5190501	COMPLETE CUP
10	7479958	ASSEMBLY STEAM HOSE TERMINAL 4 HOLES
11	7479985TW	ASSEMBLY WATER HOSE
12	5494004	GASKET D12 X 6 PTFE GRAPHITIZED
13	5964085AL	ASSEMBLY TAP
14	5221826CM	NUT 3/8"G ES.22X5
15	5283047TW	TAP BODY OT
16	7479952	UPPER ASSY PLUG
17	7479953	GASKET TF 22X17X2
18	7479954	INOX FILTER Ø8,5X22
19	7479955	INJECTOR M6X0,75 FORO Ø0,7
20	7479956	UPPER SLEEVE ASSY
21	7479933	INJECTOR Ø0.7 UPPER SLEEVE ASSY
22	7479934	GASKET OR 128 VITON
23	7479935	GASKET TF Ø35X30X2
24	7479936	DELIVERY VALVE SPRING
25	7479937	DELIVERY VALVE ASSY
26	7479940	DELIVERY GROUP BODY
27	7493011	INSULATING
28	5267013	TIE ROD M8 X 31 ASTM A193
29	7812607	NUT M8 UNI 5587 ASTM A194
30	7479938	GASKET TF Ø10X6X1
31	7479939	SCREW TCE M6X8
32	7479951	CAM STOP PIN
33	7479950	CAM SHAFT
34	7479949	CAM FLANGE ASSY
35	7371511.01	LEVER KNOB
36	7479931	DELIVERY LEVER
37	7479947	WASHER Ø8
38	7479948	CAP Ø15XM6
39	7479946	ASSEMBLY VALVE
40	7479942	SPRING GUIDE BUSHING
41	7479957	LOWER SLEEVE ASSY
42	7479943	ASSEMBLY RELIEF VALVE
43	7479944	DRAIN SPRING
44	7479945	JET-BREAKER BUSHING Ø15X6
45	7479960	GASKET TF D26x21x2
46	7479961	GROUP BOTTOM FITTING

TABLE 4 (up to 28.01.14)

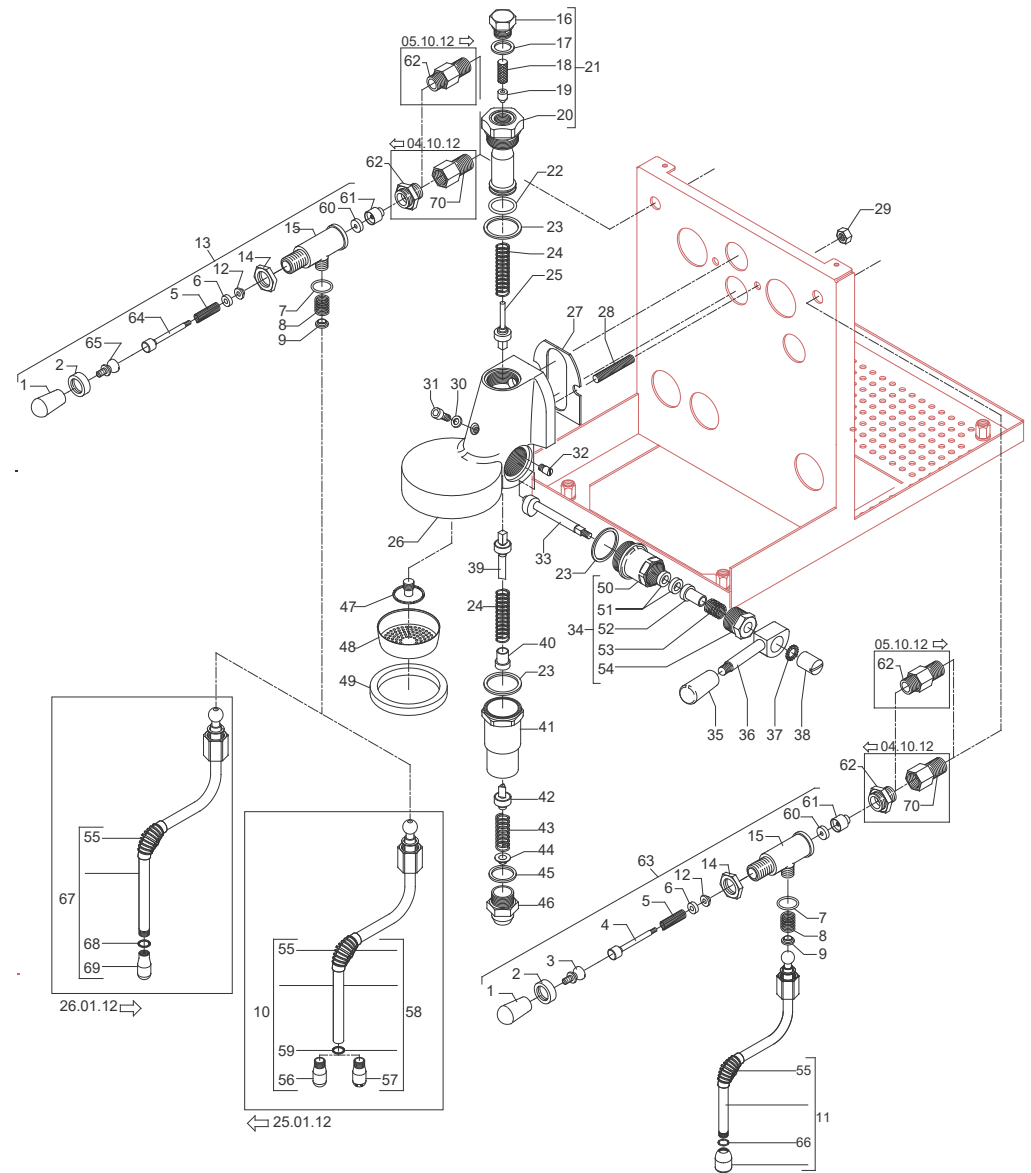


TABLE 4 (up to 28.01.14)

POS	CODE	DESCRIPTION
47	7479941	SPRAYER Ø30
48	5471022	SHOWER FILTER
49	5493039	UNDERCUP GASKET
50	7479967	CAM FLANGE
51	7479968	WASHER EP709 15,5X7,5X4
52	7479969	BUSHING
53	7479970	SPRING
54	7479971	PLUG CHROMED
55	7371003	INSULATING
56	7305010	TERMINAL 4 HOLES
57	7305013	TERMINAL 2 HOLES
58	7479975	ASSEMBLY STEAM HOSE TERMINAL 2 HOLES
59	7496083	OR GASKET D4,5X1,5 NBR70
60	5496042	GASKET D11X4X4 EPT 70 (C6)
61	5224603TP	GASKET-HOLDER
62	5225410TP	FITTING M14XM13 H26 (up to 04.10.2012)
62	5302079	FITTING M14XM13 (from 05.10.2012)
63	5964084AL	ASSEMBLY TAP
64	5260204DL	SHAFT D12X47
65	5225610	ARTICULATION M8 INOX
66	7496084	GASKET
67	7479990TW	ASSEMBLY STEAM HOSE TERMINAL 2 HOLES
68	7496084	GASKET
69	7305014	TERMINAL 2 HOLES
70	5302064	FITTING M/F M13x1 (up to 04.10.2012)

TABLE 4 (up to 28.01.14)

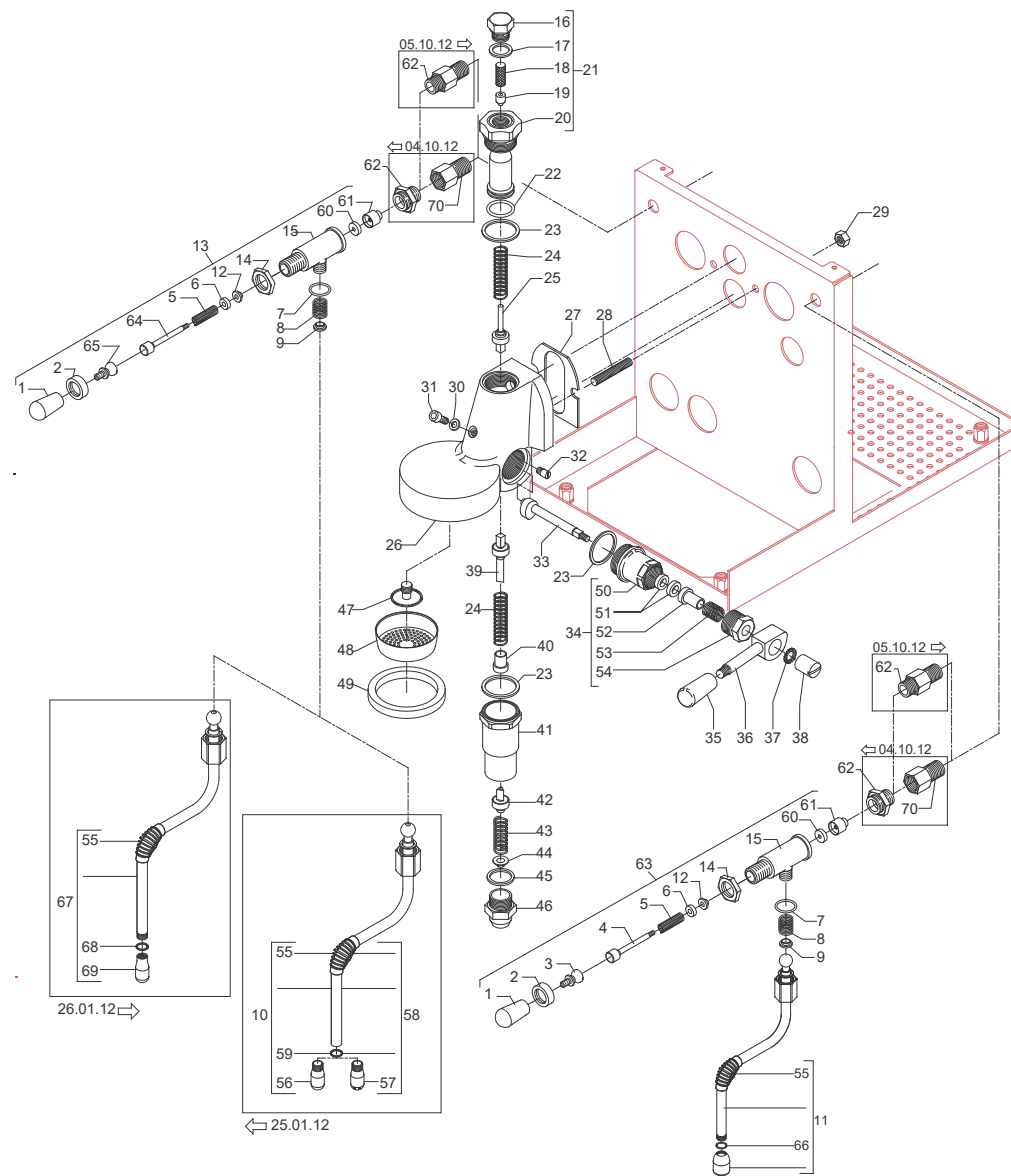


TABLE 4 (from 29.01.14)

POS	CODE	DESCRIPTION
1	7371511.01	LEVER KNOB
2	5222823CM	RING NUT 3/8"G H17
3	5225608	ARTICULATION M8 INOX
4	5260203DL	SHAFT D12X47
5	5471513	SPRING
6	5261801	WASHER D11
7	7496072	OR GASKET 121
8	5471532	SPRING
9	5190501	COMPLETE CUP
11	7479985.01TW	ASSEMBLY WATER HOSE
12	5494004	GASKET D12 X 6 PTFE GRAPHITIZED
13	5964085.01AL	ASSEMBLY TAP WITH OR
14	5221826CM	NUT 3/8"G ES.22X5
15	5283055TW	TAP BODY OT FOR OR
16	7479952	UPPER ASSY PLUG
17	7479953	GASKET TF 22X17X2
18	7479954	INOX FILTER Ø8,5X22
19	7479955	INJECTOR M6X0,75 FORO Ø0,7
20	7479956	UPPER SLEEVE ASSY
21	7479933	INJECTOR Ø0.7 UPPER SLEEVE ASSY
22	7479934	GASKET OR 128 VITON
23	7479935	GASKET TF Ø35X30X2
24	7479936	DELIVERY VALVE SPRING
25	7479937	DELIVERY VALVE ASSY
26	7479940	DELIVERY GROUP BODY
27	7493011	INSULATING
28	5267013	TIE ROD M8 X 31 ASTM A193
29	7812607	NUT M8 UNI 5587 ASTM A194
30	7479938	GASKET TF Ø10X6X1
31	7479939	SCREW TCE M6X8
32	7479951	CAM STOP PIN
33	7479950	CAM SHAFT
34	7479949	CAM FLANGE ASSY
35	7371511.01	LEVER KNOB
36	7479931	DELIVERY LEVER
37	7479947	WASHER Ø8
38	7479948	CAP Ø15XM6
39	7479946	ASSEMBLY VALVE
40	7479942	SPRING GUIDE BUSHING
41	7479957	LOWER SLEEVE ASSY
42	7479943	ASSEMBLY RELIEF VALVE
43	7479944	DRAIN SPRING
44	7479945	JET-BREAKER BUSHING Ø15X6
45	7479960	GASKET TF D26x21x2
46	7479961	GROUP BOTTOM FITTING
47	7479941	SPRAYER Ø30

TABLE 4 (from 29.01.14)

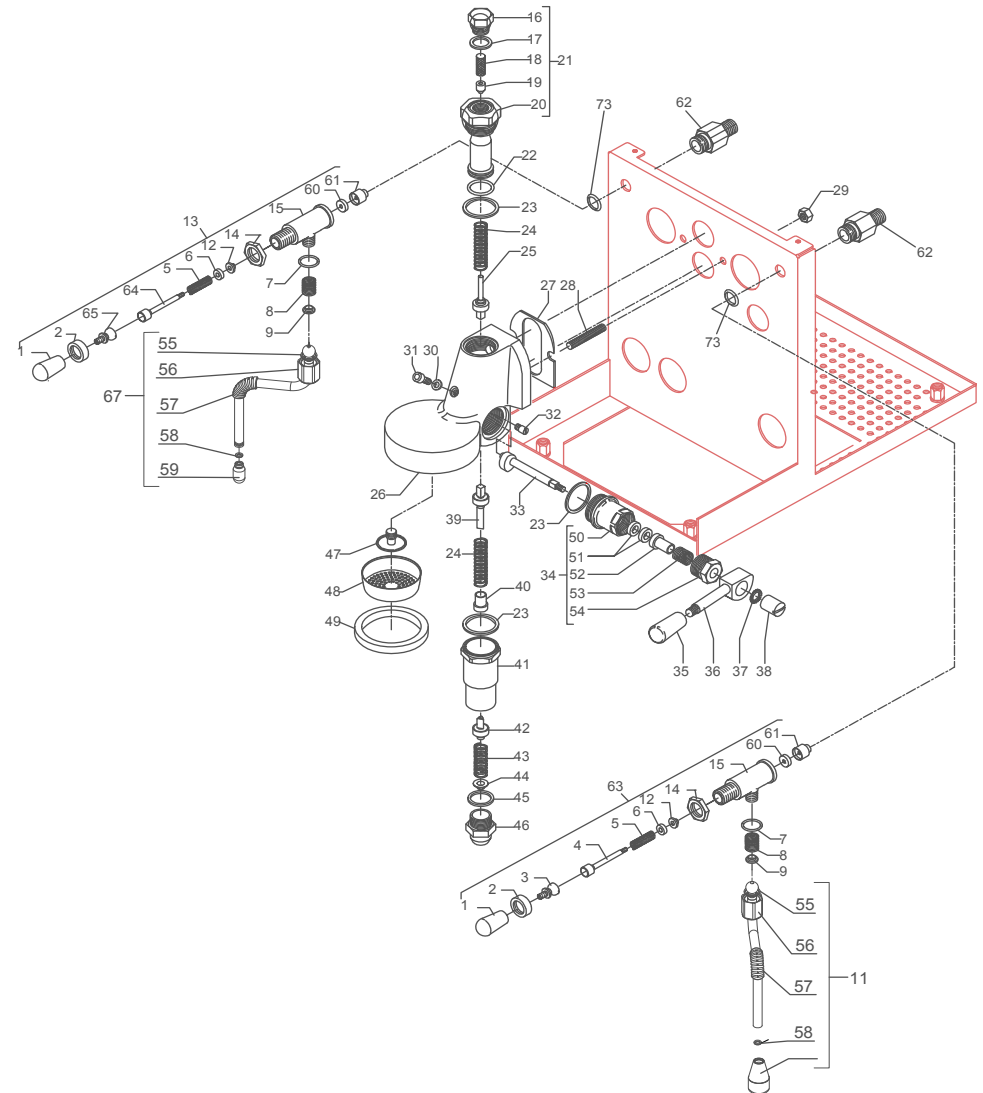


TABLE 4 (from 29.01.14)

POS	CODE	DESCRIPTION
48	5471022	SHOWER FILTER
49	5493039	UNDERCUP GASKET
50	7479967	CAM FLANGE
51	7479968	WASHER EP709 15,5X7,5X4
52	7479969	BUSHING
53	7479970	SPRING
54	7479971	PLUG CHROMED
55	5494017	ARTICULATION GASKET
56	5221872TW	NUT 3/8"G
57	7371003	INSULATING
58	7496084	GASKET
59	7305014	TERMINAL 2 HOLES
60	5496042	GASKET D11X4X4 EPT 70 (C6)
61	5224603TP	GASKET-HOLDER
62	5225417TP	FITTING M14XM13 WHIT OR
63	5964084.01AL	ASSEMBLY TAP WITH OR
64	5260204DL	SHAFT D12X47
65	5225610	ARTICULATION M8 INOX
67	7479990.01TW	ASSEMBLY STEAM HOSE TERMINAL 2 HOLES
73	7496052	OR GASKET 114

TABLE 4 (from 29.01.14)

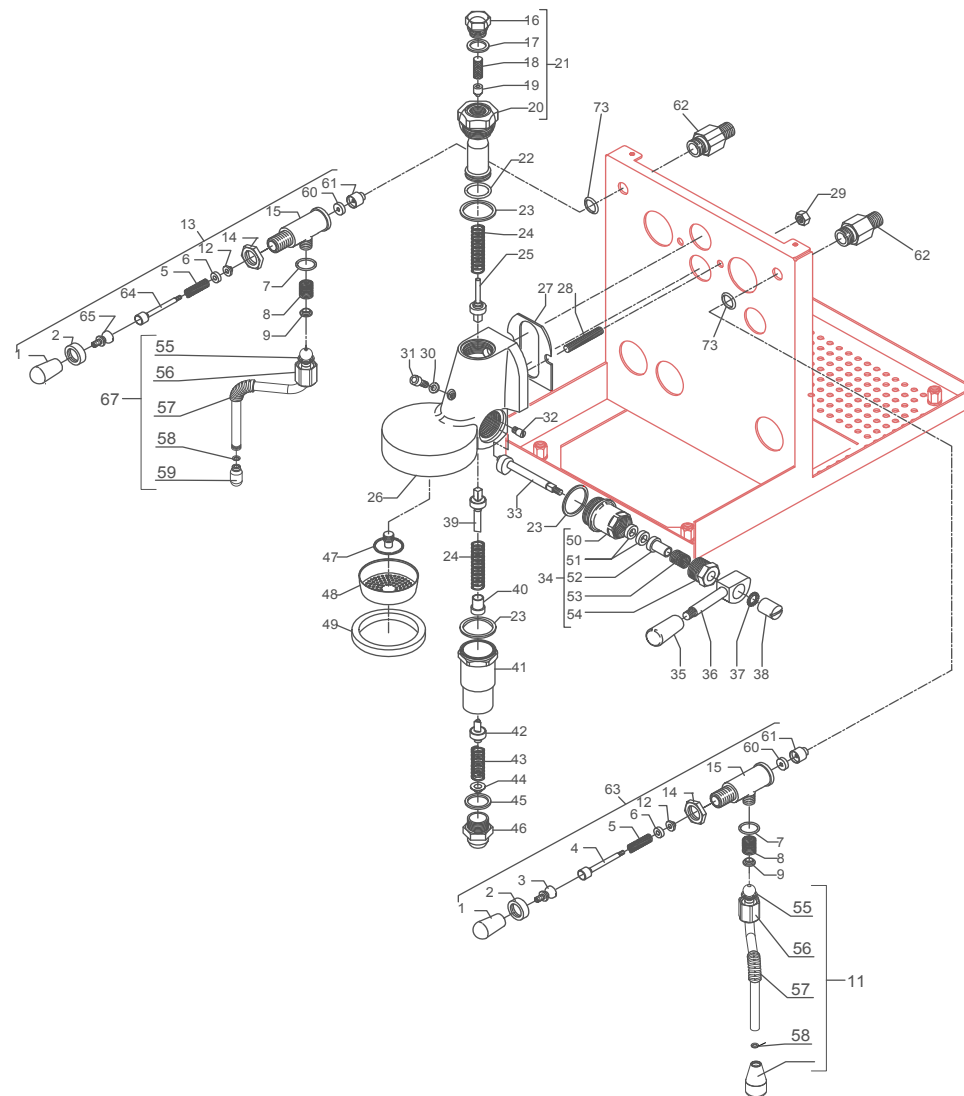


TABLE 5 Mod. PM (up to 31.11.15)

POS	CODE	DESCRIPTION
1	7661033.01	LEVEL REGULATOR 3 PROBES 110/120V
1	7661034.01	LEVEL REGULATOR 3 PROBES 220/230V
1	7661035.01	LEVEL REGULATOR 3 PROBES 240V
2	7635418	RELAY 16A 110V 2 CONTACTS FASTON
2	7635419	RELAY 16A 230V 2 CONTACTS FASTON
2	7635420	RELAY 16A 240V 2 CONTACTS FASTON
3	7819404	TAPPING SCREW TPS D4.8X16 UNI 6955 A2
4	7816017	SCREW TCEI M4X6
5	5035709.01LL	ELECTRIC PARTS SUPPORT PLATE
6	7814001	WASHER D4 DIN 6798A A2
7	7819908	SCREW TTEI M4X8
8	7555001	CABLE WITH SCHUKO PLUG
8	7552001	CABLE WITH AUSTRALIAN PLUG
8	7555003	CABLE WITH SWITZERLAND PLUG
8	7551001	CABLE WITH USA PLUG 125V 15A
8	7551003	CABLE WITH USA PLUG 250V 20A
9	7614006	NUT PG13,5
10	7614007	CABLE-PRESS PG13,5
11	7663005R	FILTER RC
12	7633906	MICROSWITCH 250V
13	5221875CM	NUT M10X0,75
14	7633326	BIPOLAR SWITCH
15	7372507	SWTCH PROTECTION PLASTIC
16	7633622	GREEN LAMP 110/240V
17	7633621	ORANGE LAMP 110/240V

TABLE 5 (up to 31.11.15)
Mod. PM

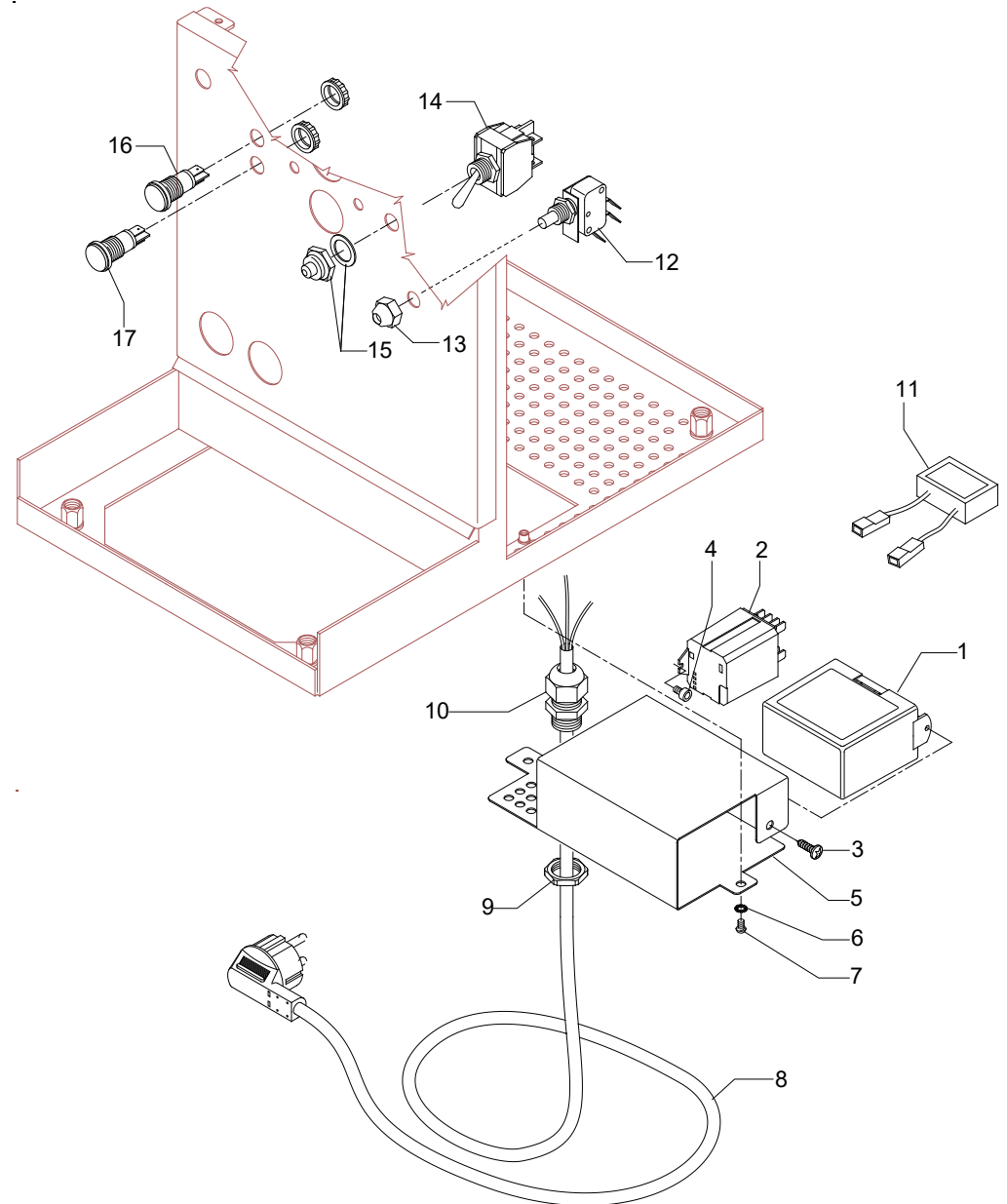


TABLE 5 Mod. PM (from 01.12.15)

POS	CODE	DESCRIPTION
1	7661033.02PR	LEVEL REGULATOR 3 PROBES 110/120V
1	7661043.01PR	LEVEL REGULATOR 3 PROBES 220/240V
2	7635418	RELAY 16A 110V 2 CONTACTS FASTON
2	7635419	RELAY 16A 230V 2 CONTACTS FASTON
2	7635420	RELAY 16A 240V 2 CONTACTS FASTON
3	7819404	TAPPING SCREW TPS D4.8X16 UNI 6955 A2
4	7816017	SCREW TCEI M4X6
5	5035709.02LL	ELECTRIC PARTS SUPPORT PLATE
6	7814001	WASHER D4 DIN 6798A A2
7	7819908	SCREW TTEI M4X8
8	7555001	CABLE WITH SCHUKO PLUG
8	7552001	CABLE WITH AUSTRALIAN PLUG
8	7555003	CABLE WITH SWITZERLAND PLUG
8	7551001	CABLE WITH USA PLUG 125V 15A
8	7551003	CABLE WITH USA PLUG 250V 20A
9	7614006	NUT PG13,5
10	7614007	CABLE-PRESS PG13,5
11	7663005R	FILTER RC
12	7633906	MICROSWITCH 250V
13	5221875CM	NUT M10X0,75
14	7633326	BIPOLAR SWITCH
15	7372507	SWTCH PROTECTION PLASTIC
16	7633624	GREEN LAMP 110/230V
17	7633625	ORANGE LAMP 110/230V
18	5074468.01SG	GROUP FRONTAL MAGICA PM

TABLE 5 (from 01.12.15)
Mod. PM

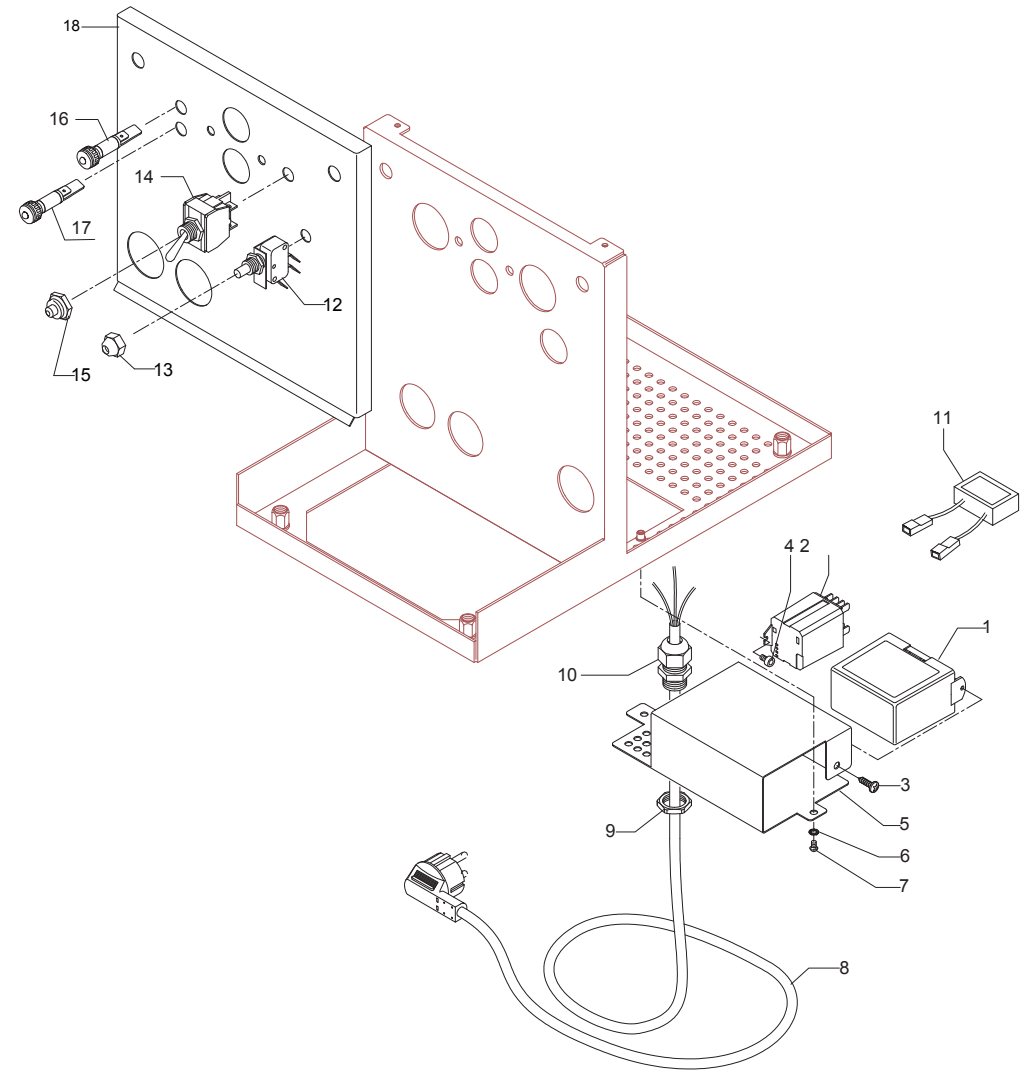
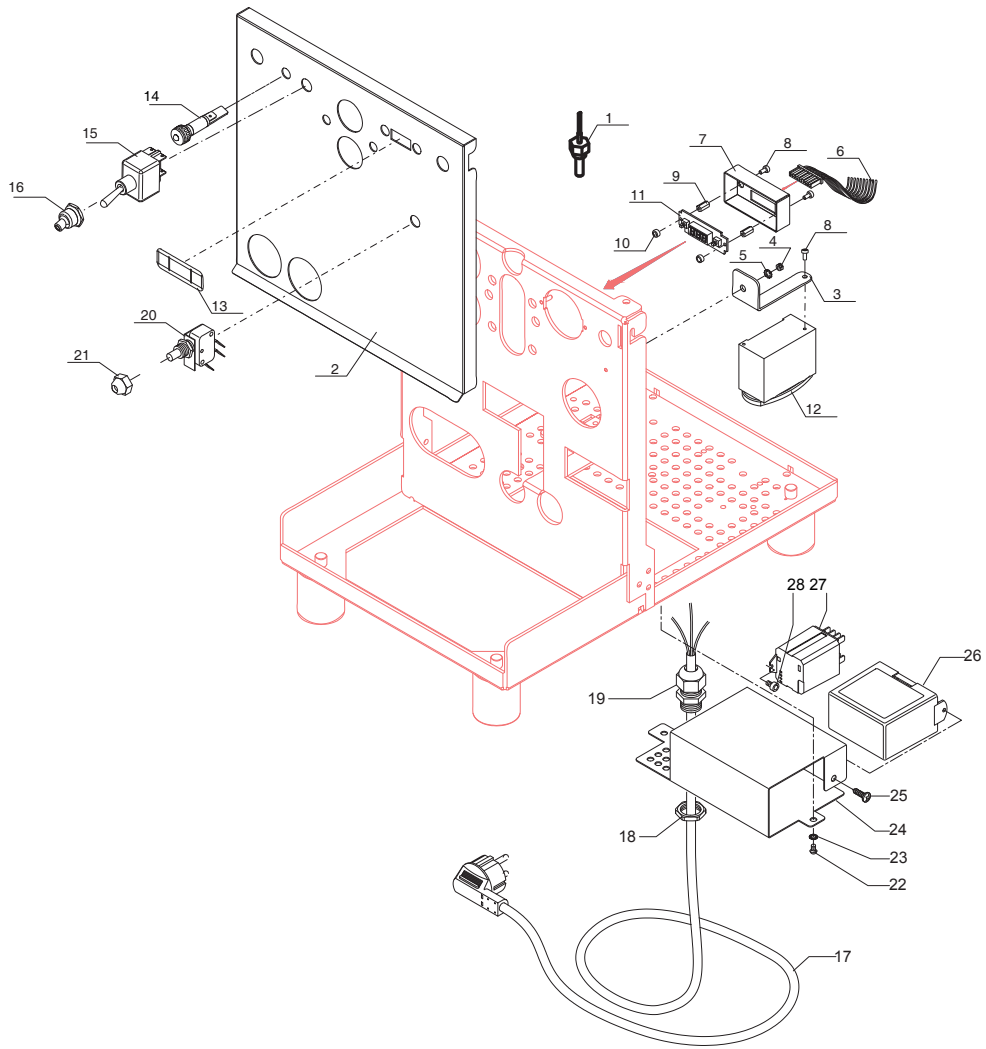
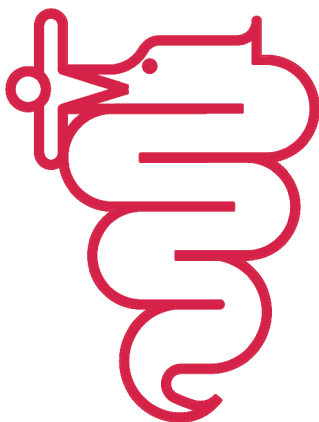


TABLE 5A Mod. PM PID

POS	CODE	DESCRIPTION
1	7666002	PROBE T.PID
2	5074908SG	GROUP FRONTAL MAGICA PM PID
3	5018468LW	PID SUPPORT
4	7822602	NUT M3
5	7814001	WASHER D4 DIN 6798A A2
6	7663581	CONNECTING CABLE
7	5053026LW	COVER
8	7816016	M3X6 SCREW
9	5191511	SPACER
10	5191510	SPACER
11	7665529	DISPLAY
12	7434021	THERMOSTAT TERMOPID 230/240V
13	5522076	TERMOPID PLATE
14	7633626	RED LAMP 110/230V
15	7633326	BIPOLAR SWITCH
16	7372507	SWTCH PROTECTION PLASTIC
17	7555001	CABLE WITH SCHUKO PLUG
17	7552001	CABLE WITH AUSTRALIAN PLUG
17	7555003	CABLE WITH SWITZERLAND PLUG
17	7551001	CABLE WITH USA PLUG 125V 15A
17	7551003	CABLE WITH USA PLUG 250V 20A
18	7614006	NUT PG13,5
19	7614007	CABLE-PRESS PG13,5
20	7633906	MICROSWITCH 250V
21	5221875CM	NUT M10X0,75
22	7819908	SCREW TTEI M4X8
23	7814001	WASHER D4 DIN 6798A A2
24	5035709.02LW	ELECTRIC PARTS SUPPORT PLATE
25	7819404	TAPPING SCREW TPS D4.8X16 UNI 6955 A2
26	7661033.02PR	LEVEL REGULATOR 3 PROBES 110/120V
26	7661043.01PR	LEVEL REGULATOR 3 PROBES 220/240V
27	7635424.01	RELAY SSR
28	7816017	SCREW TCEI M4X6

TABLE 5A Mod. PM PID





BEZZERA

Dal 1901

G.BEZZERA S.R.L.

MACCHINE PER CAFFE' ESPRESSO

Via Luigi Bezzera,1

20088 Rosate - Milano - Italy

Tel. ++39 02 90848102 r.a. - Telefax ++39 02 90870287

Web: www.bezzera.com

e-mail: admin@bezzera.it